

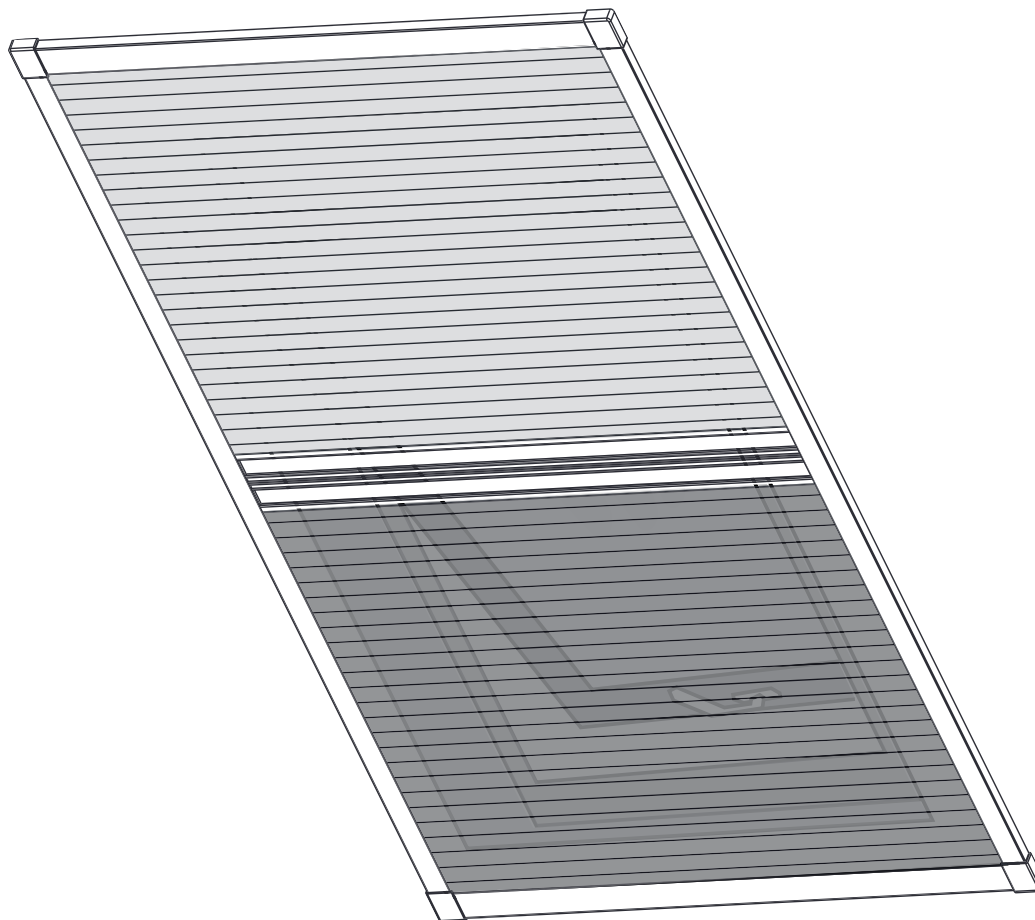


EN DOUBLE PLEATED INSECT
SCREEN WINDOW EXCELLENT

NL DUO PLISSÉHOR RAAM
EXCELLENT

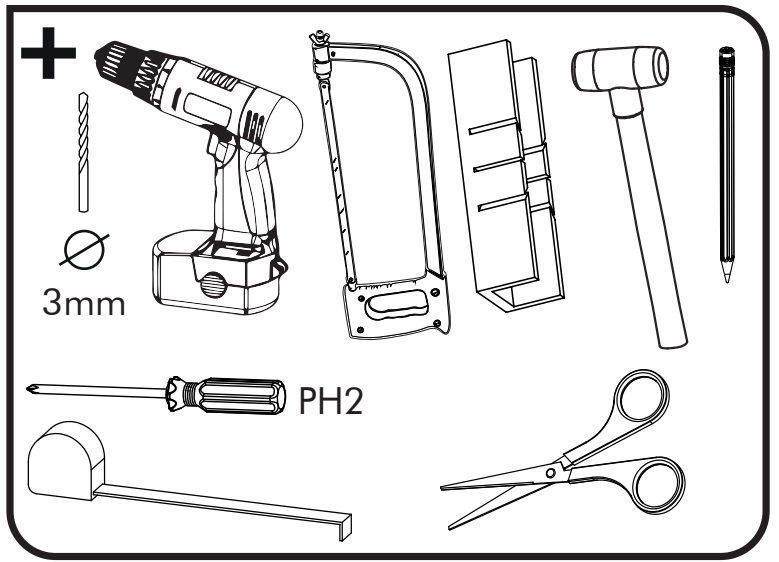
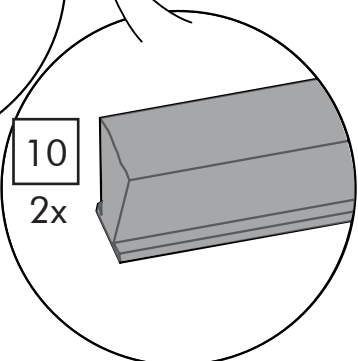
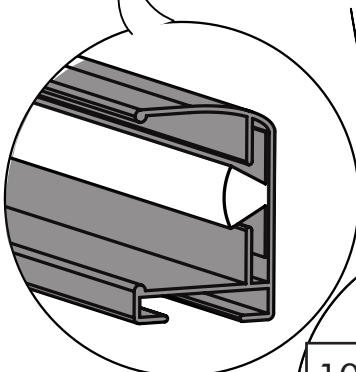
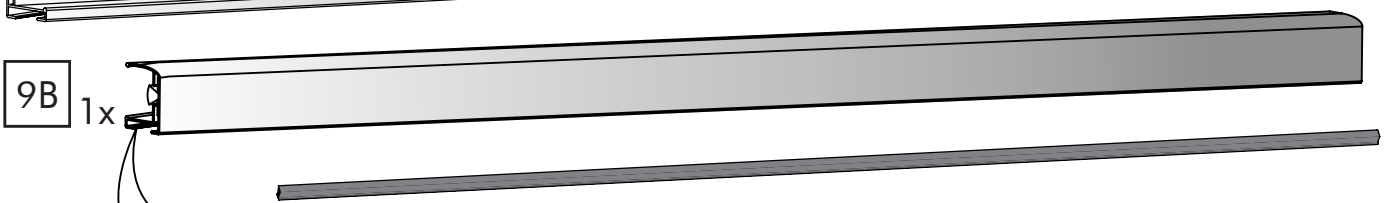
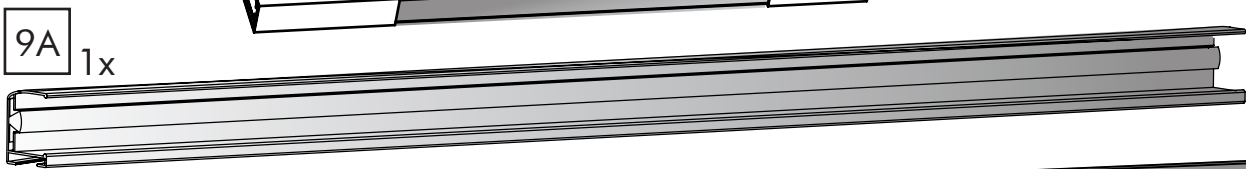
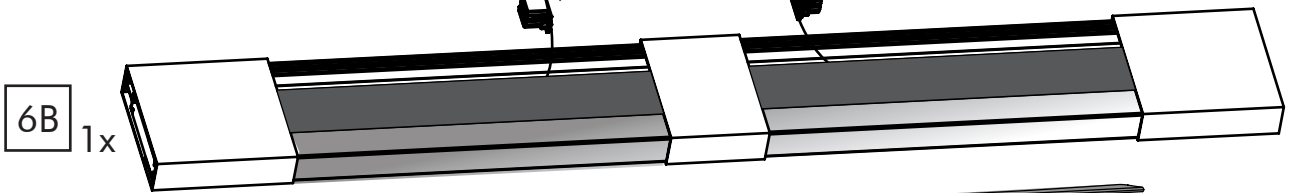
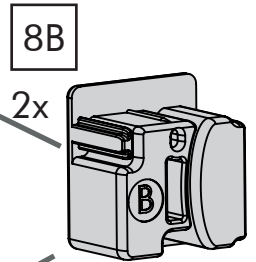
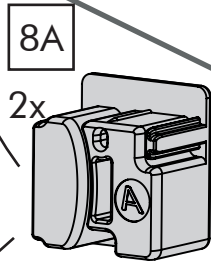
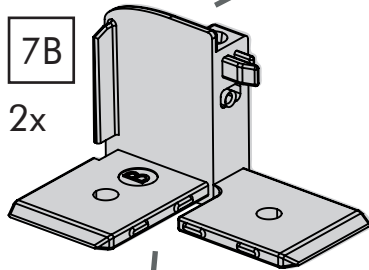
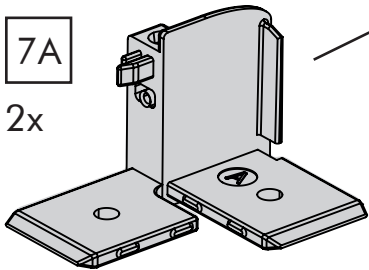
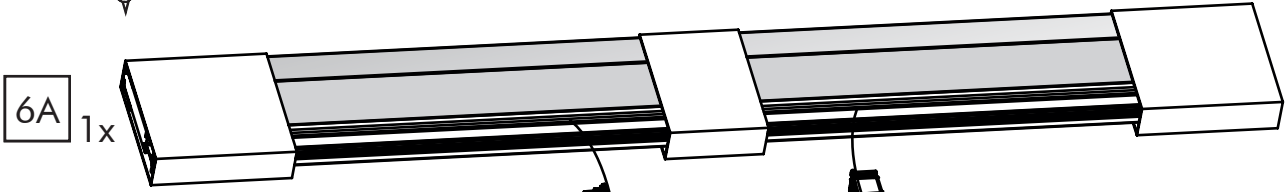
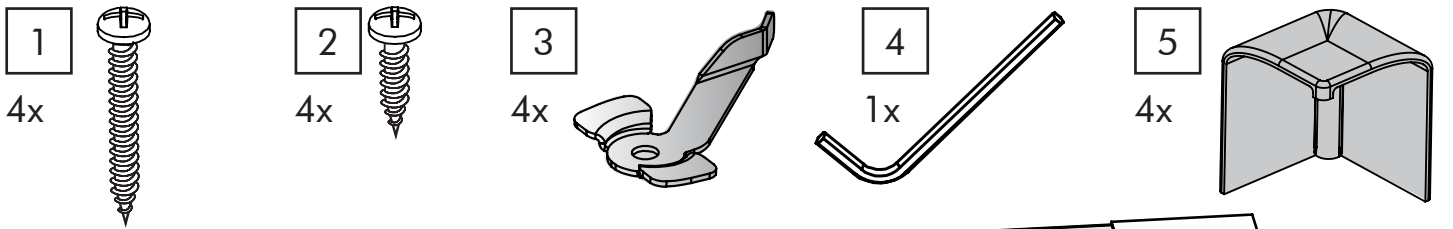
FR FENÊTRE MOUSTIQUAIRE DUO
PLISSÉE EXCELLENT

DE INSEKTENSCHUTZ FENSTER-
DOPPEL-PLISSEE EXCELLENT

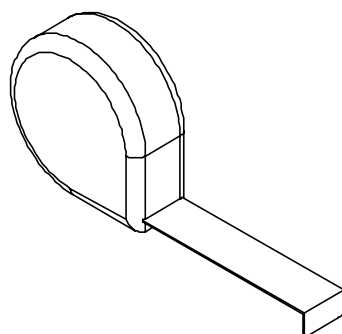
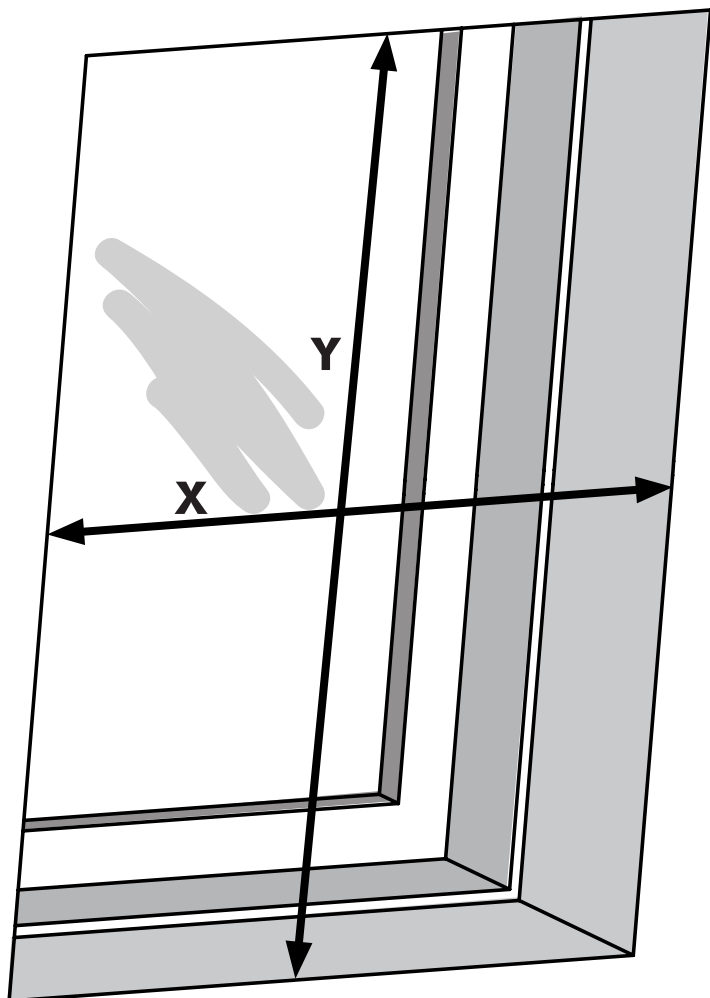


Instruction manual **EN** Handleiding **NL** Manuel d'instructions **FR**
Bedienungsanleitung **DE**

made easy



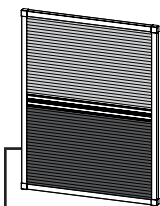
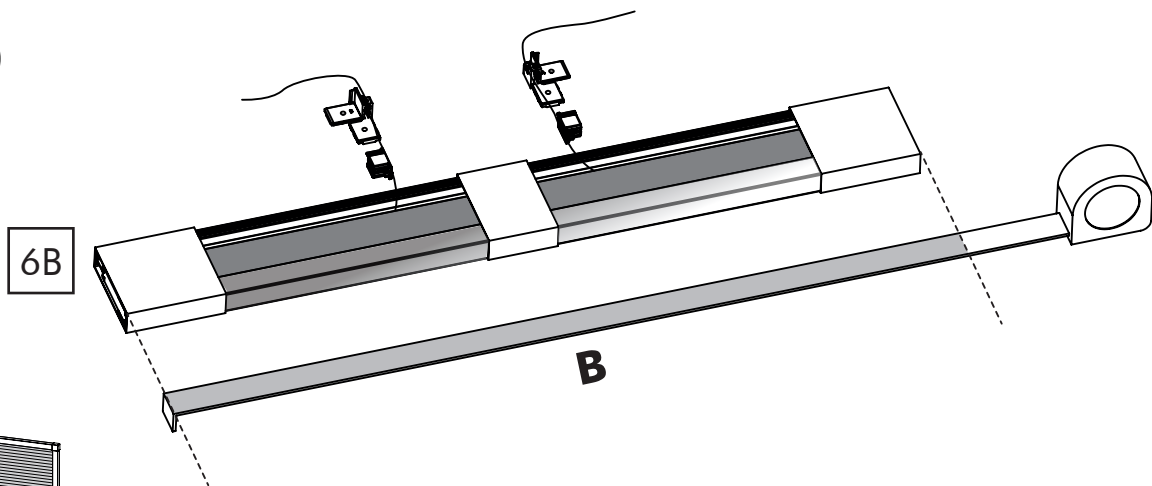
1



X = _____ mm

Y = _____ mm

2

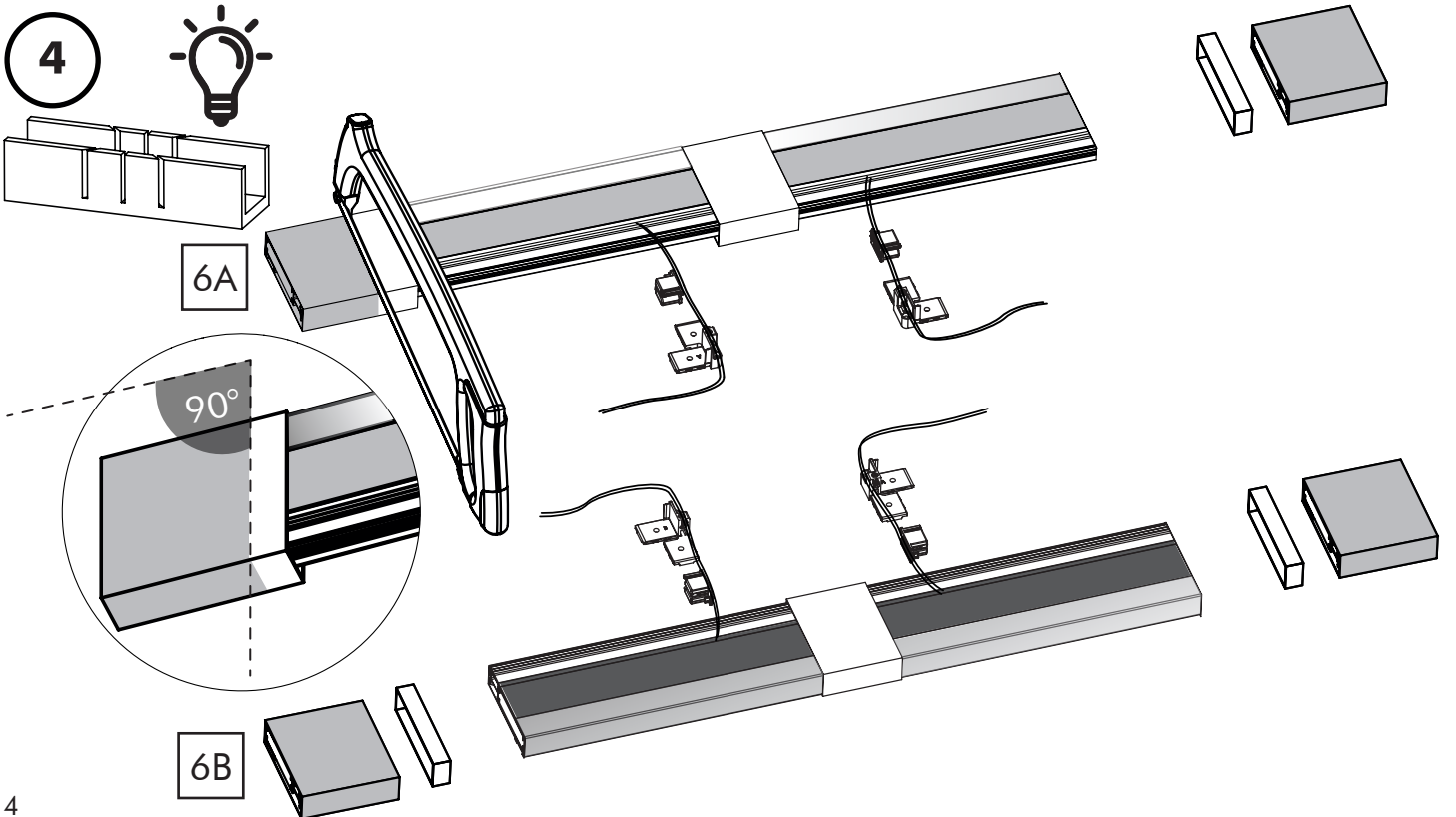
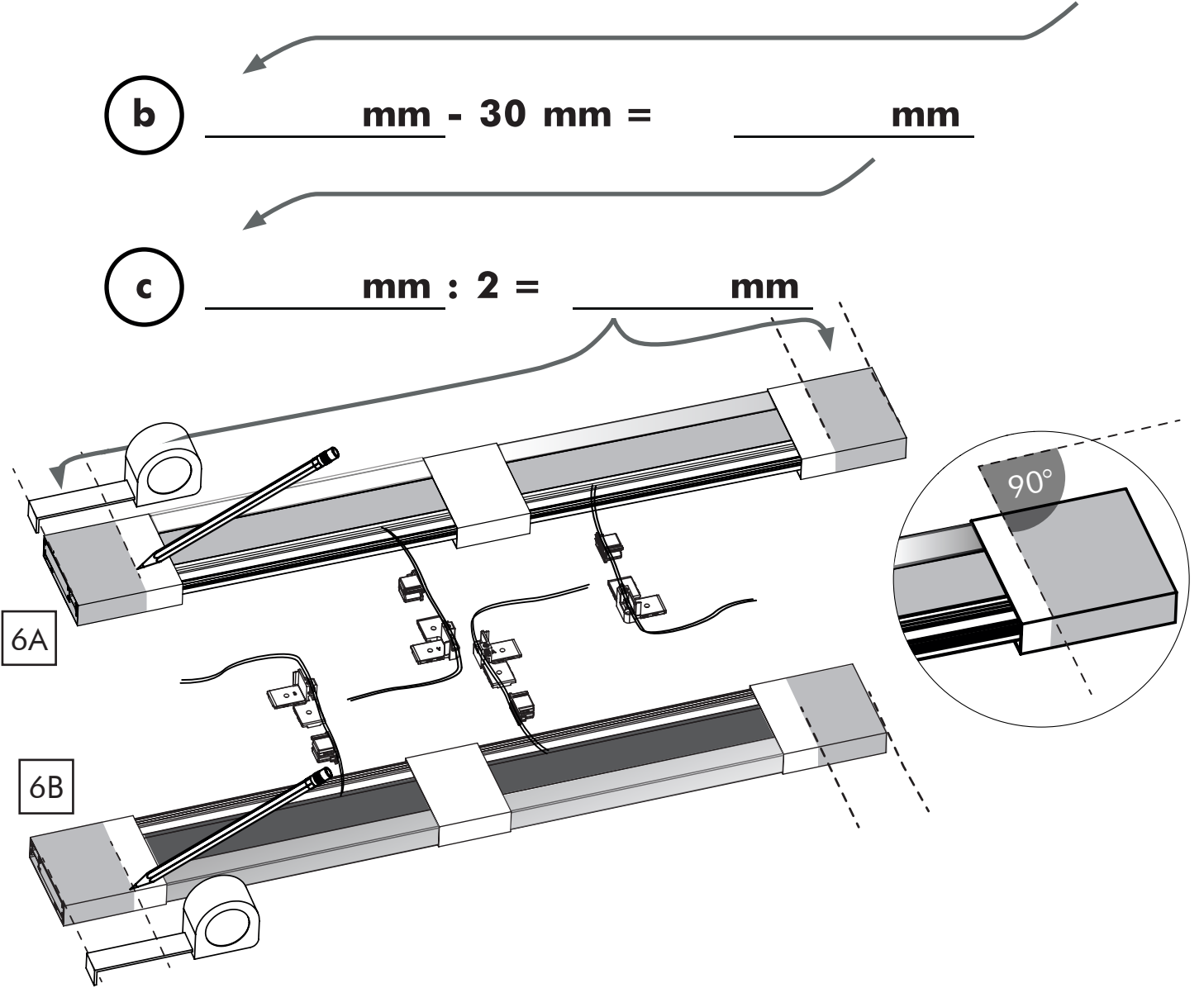


	78 x 160 cm	114 x 160 cm	134 x 160 cm
B	756 mm	1116 mm	1316 mm

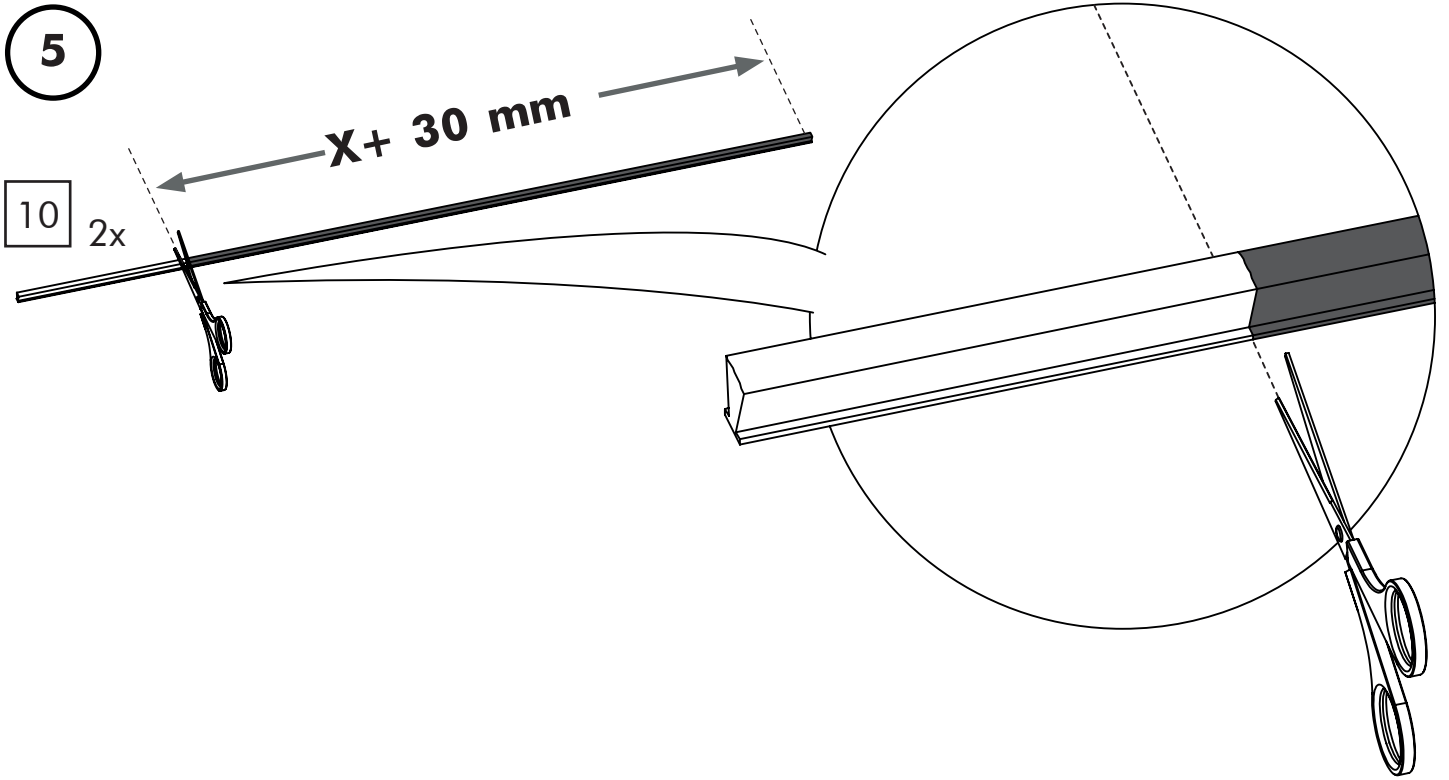
3 a $B - X = \underline{\hspace{2cm}} \text{ mm} - \underline{\hspace{2cm}} \text{ mm} = \underline{\hspace{2cm}} \text{ mm}$

b $\underline{\hspace{2cm}} \text{ mm} - 30 \text{ mm} = \underline{\hspace{2cm}} \text{ mm}$

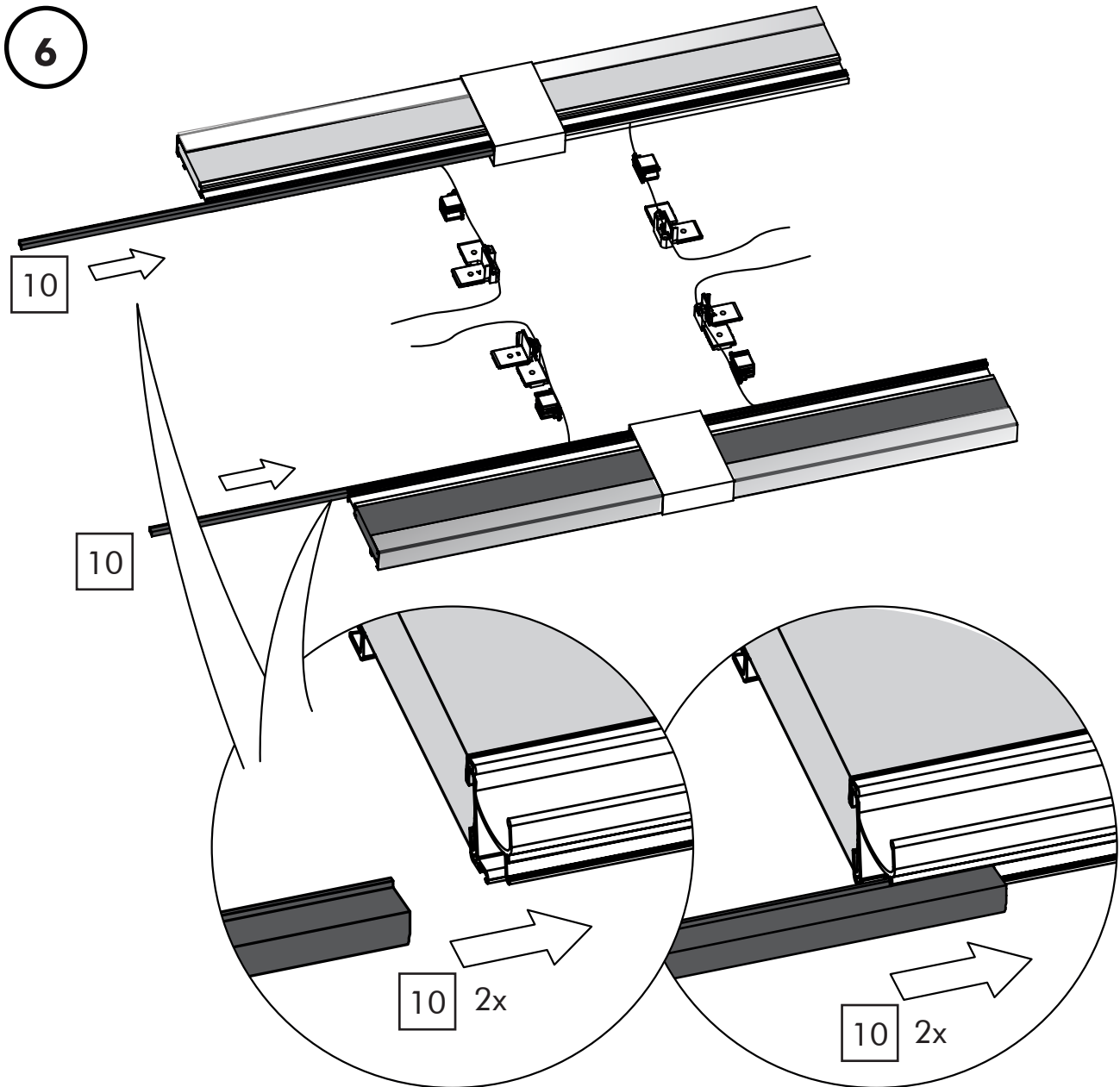
c $\underline{\hspace{2cm}} \text{ mm} : 2 = \underline{\hspace{2cm}} \text{ mm}$

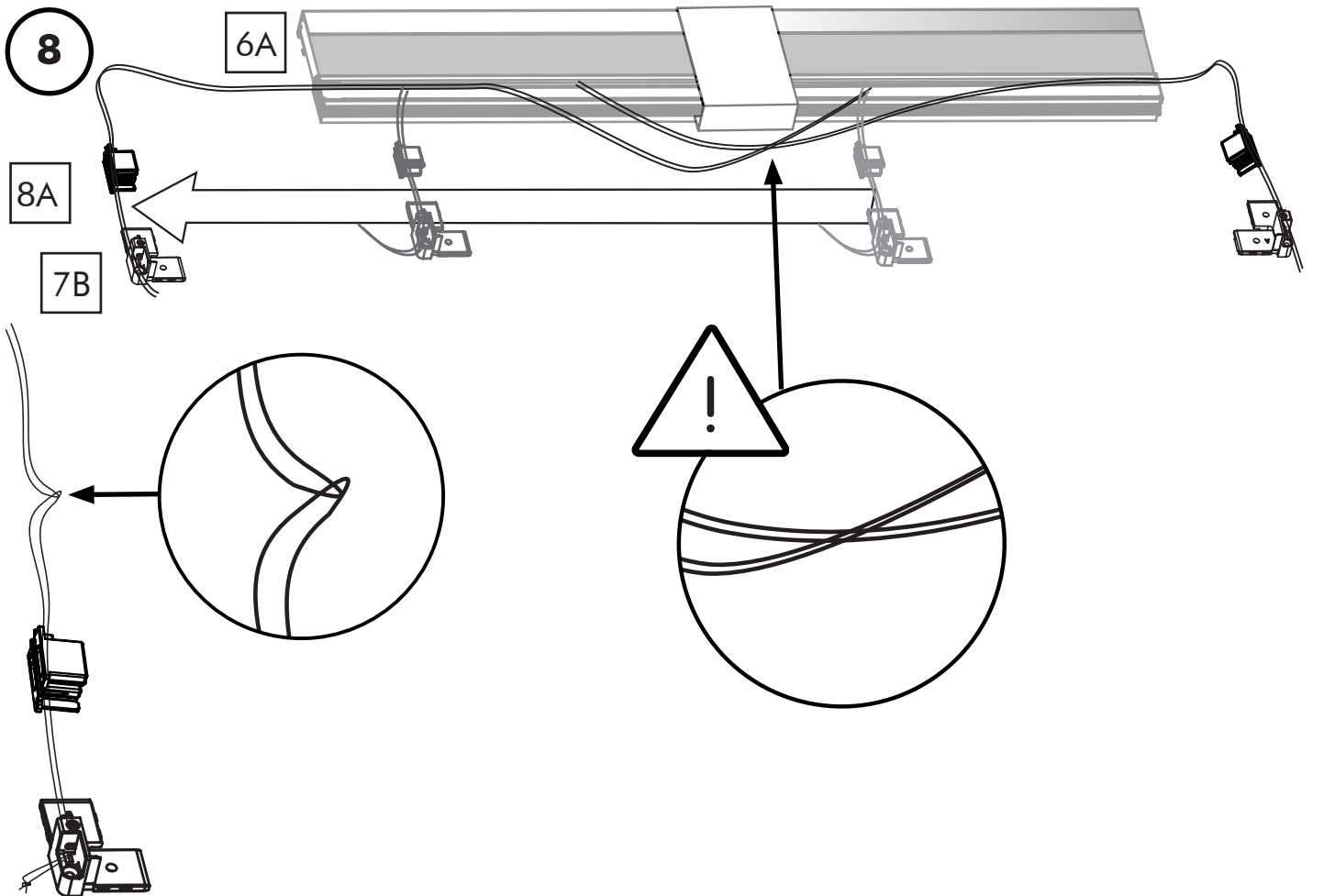
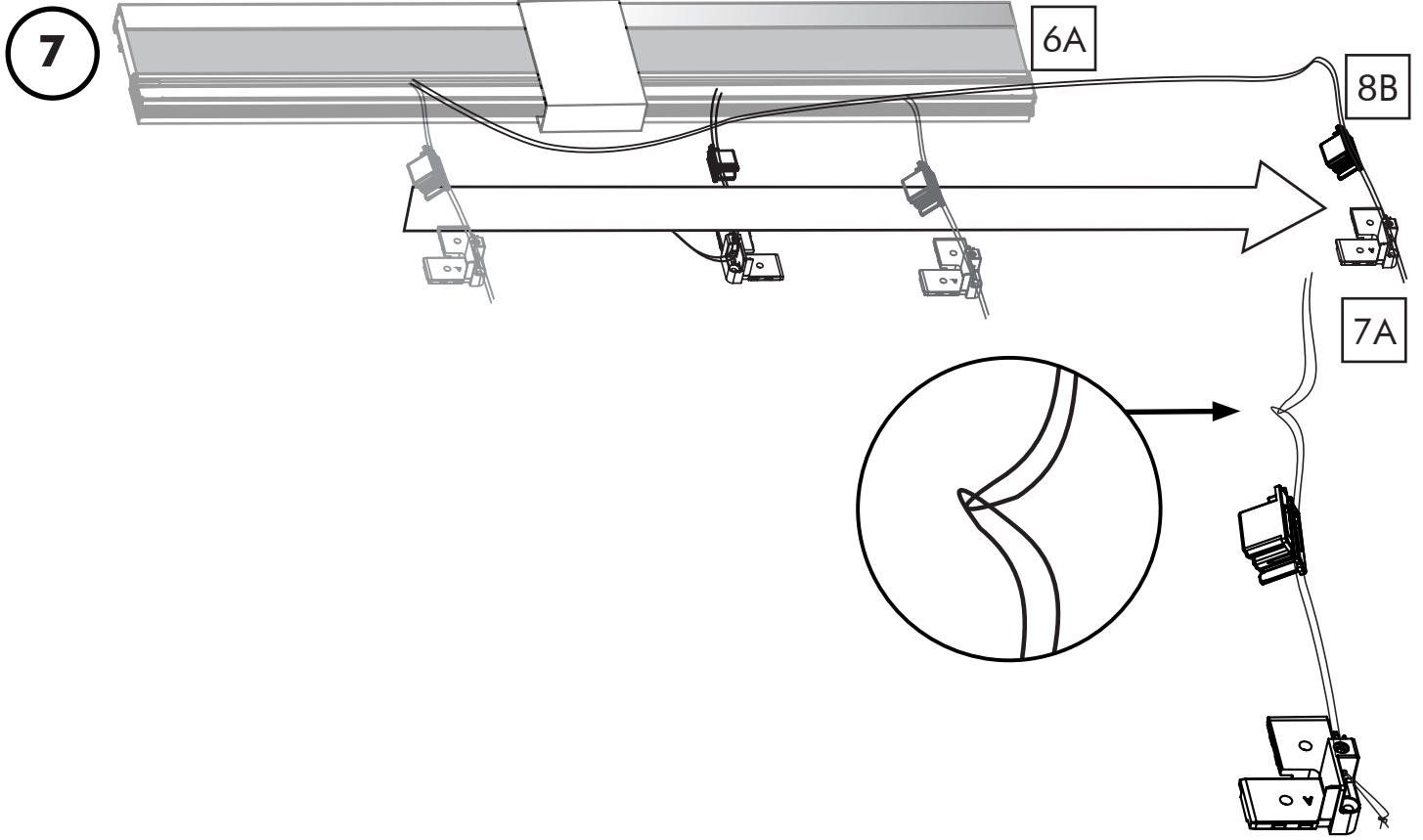


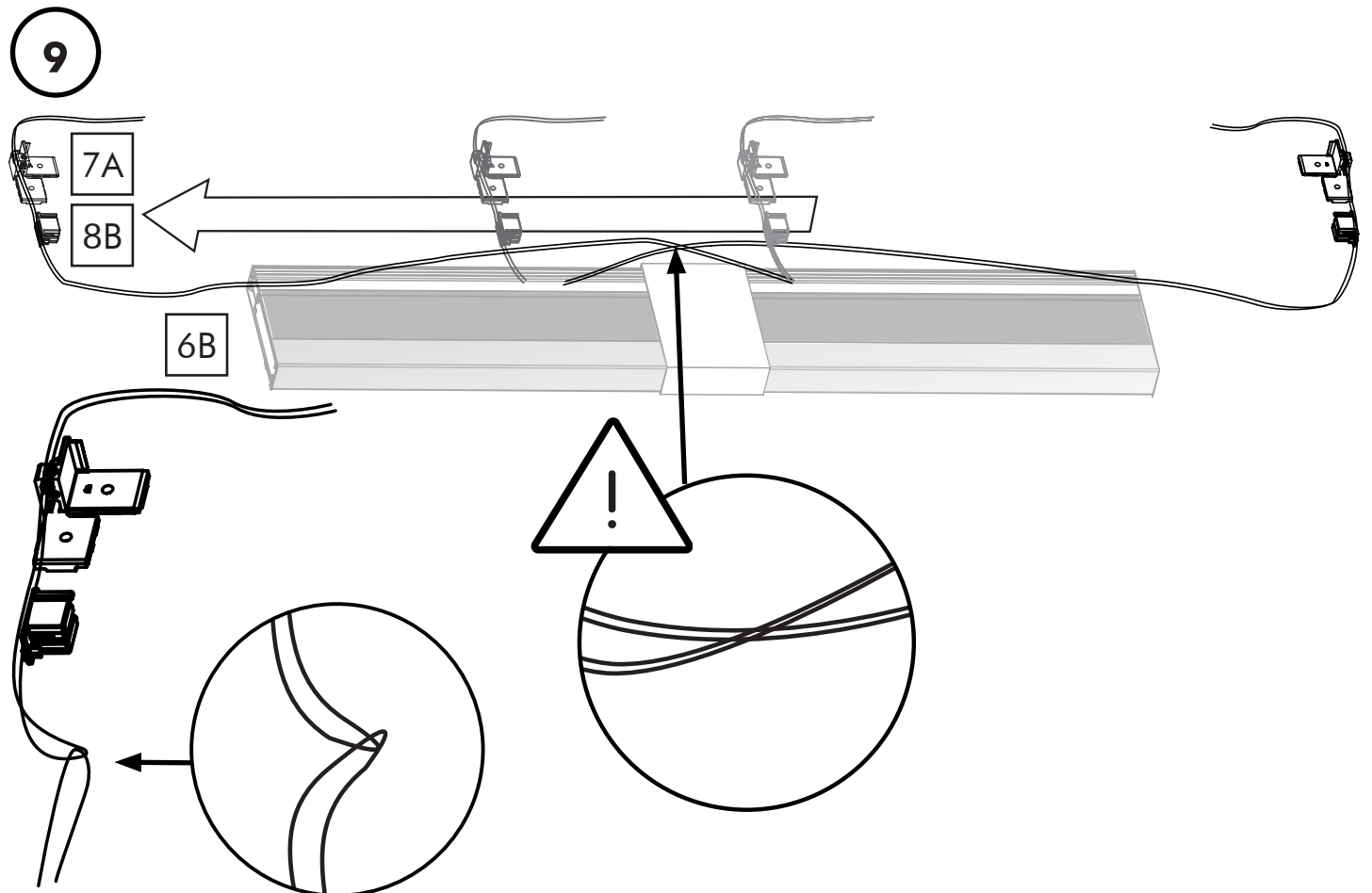
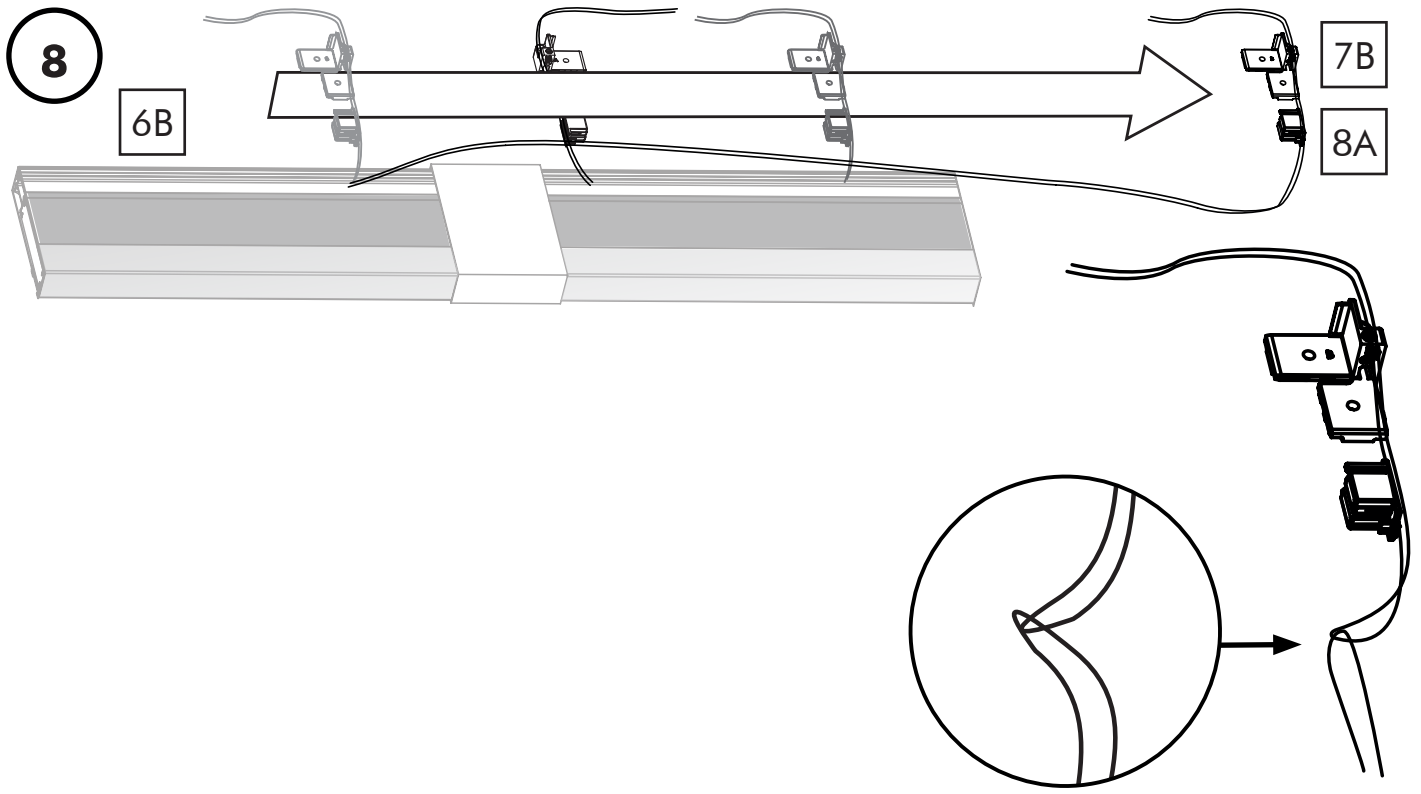
5

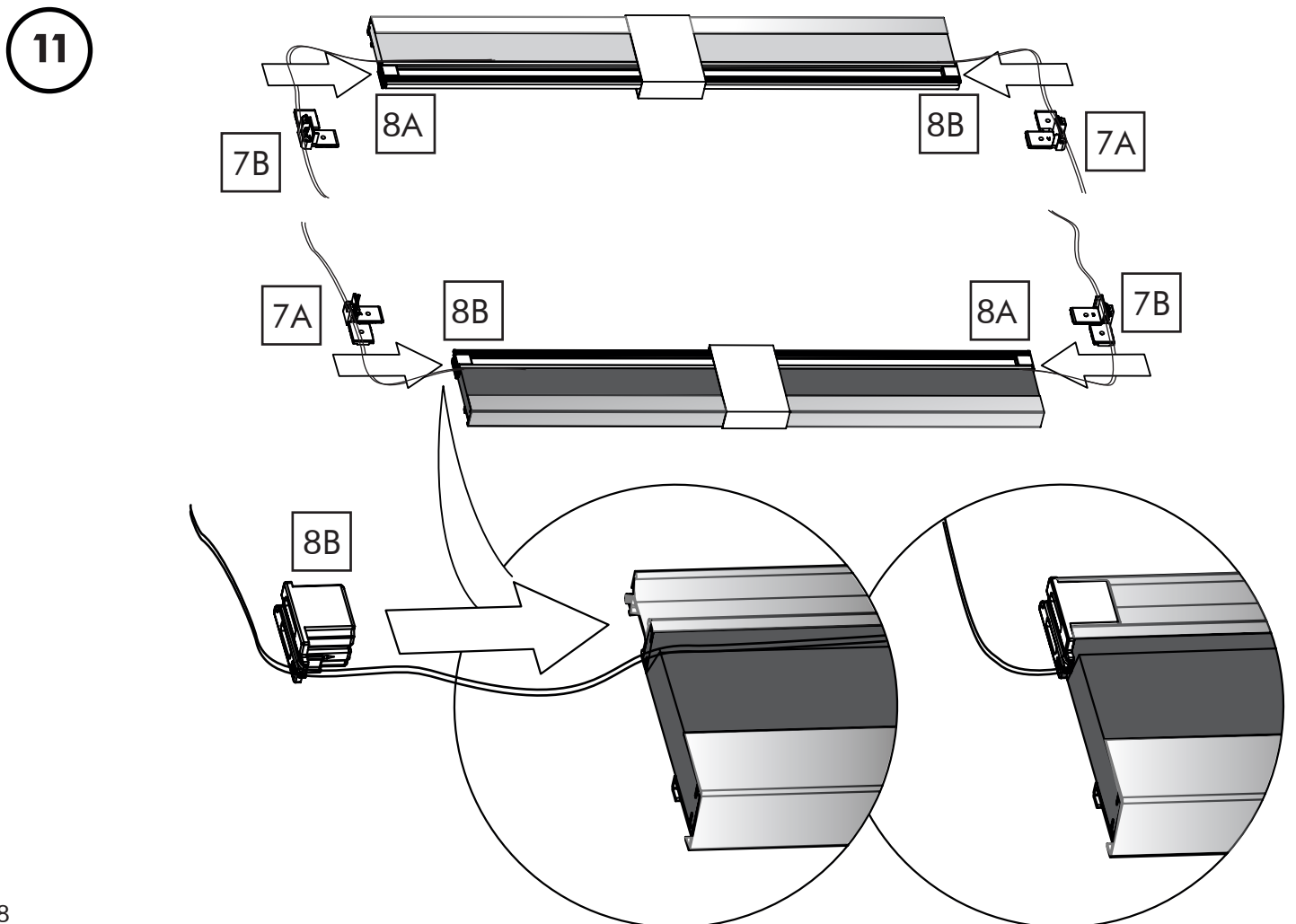
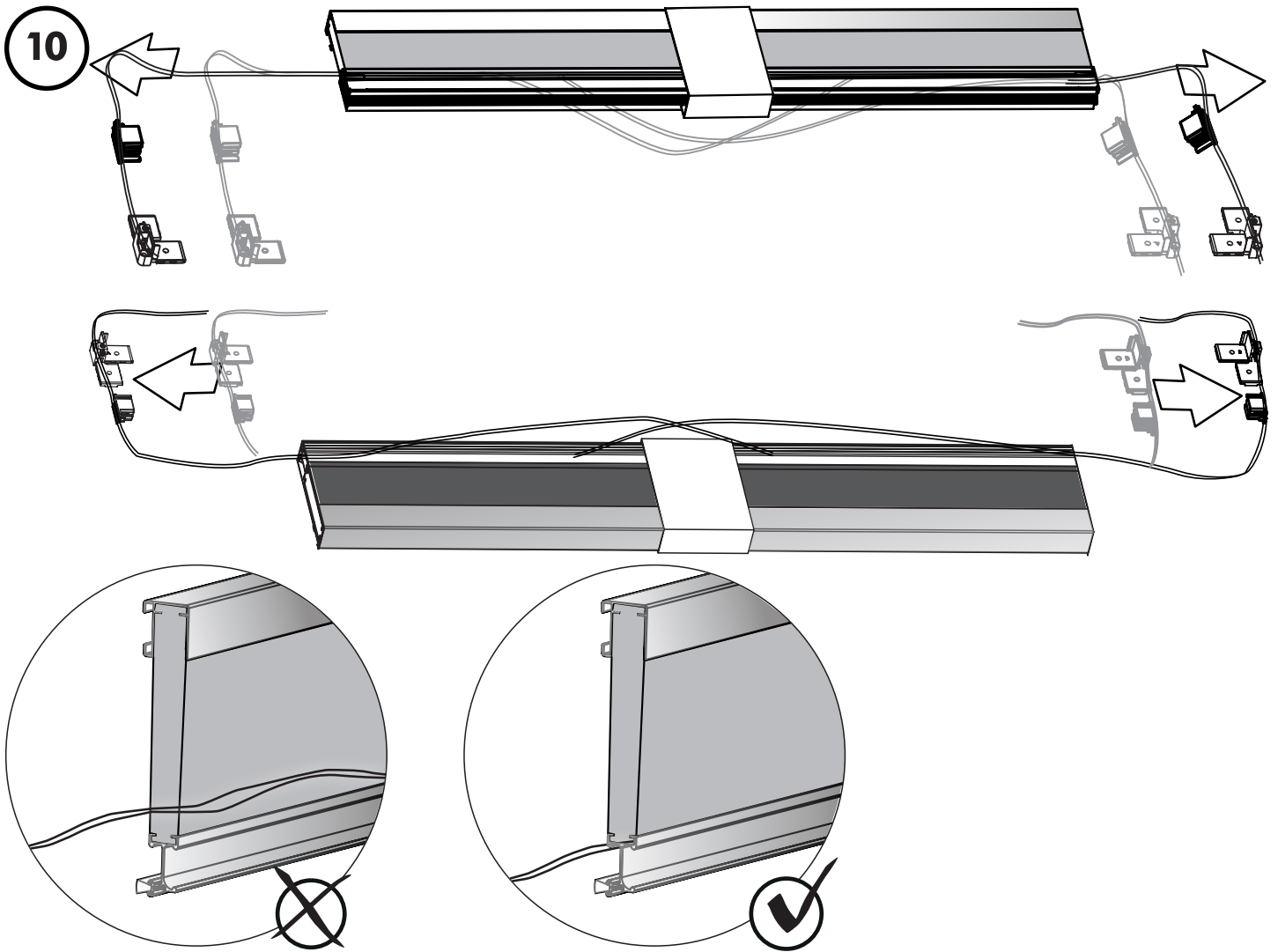


6

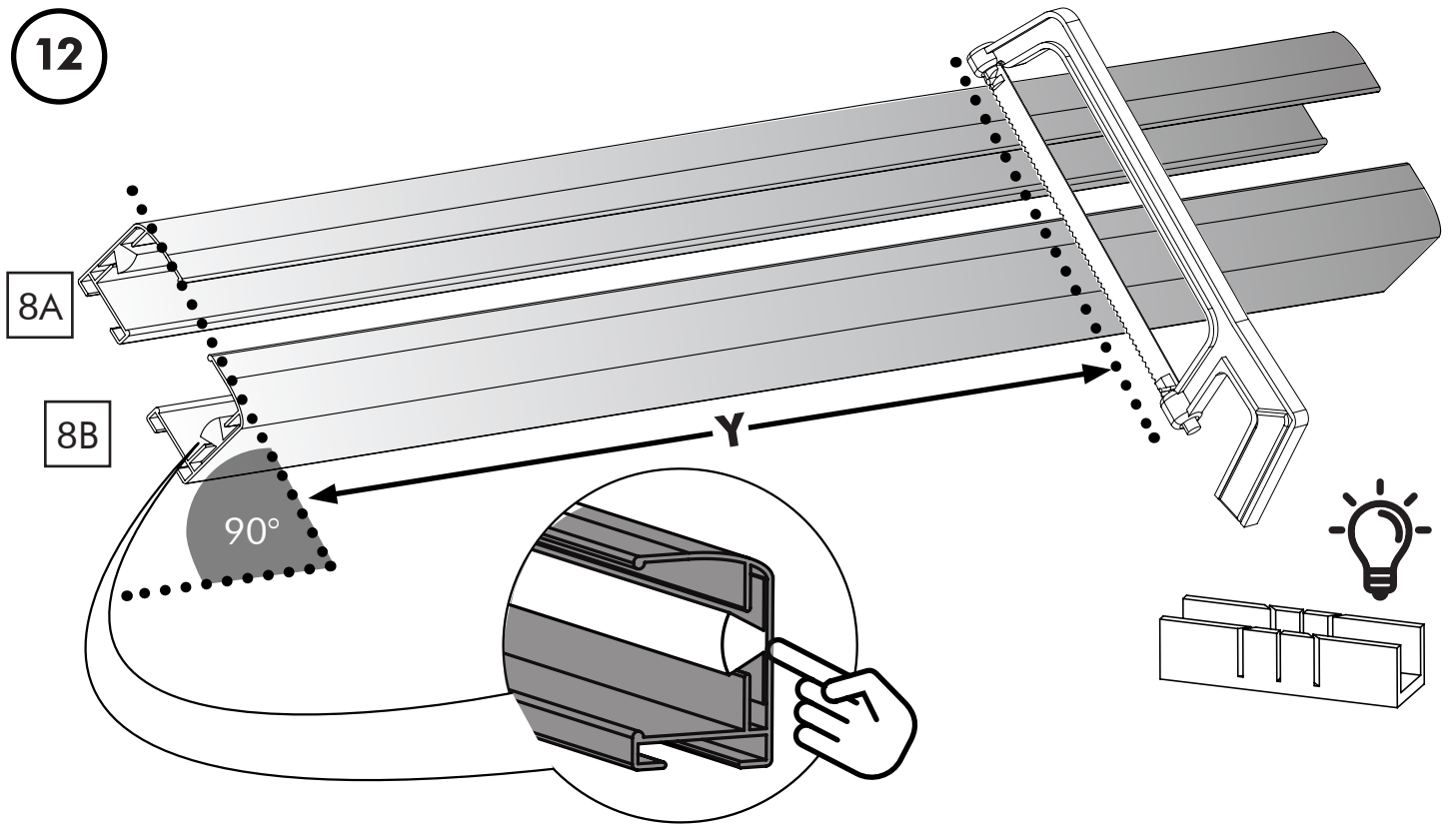




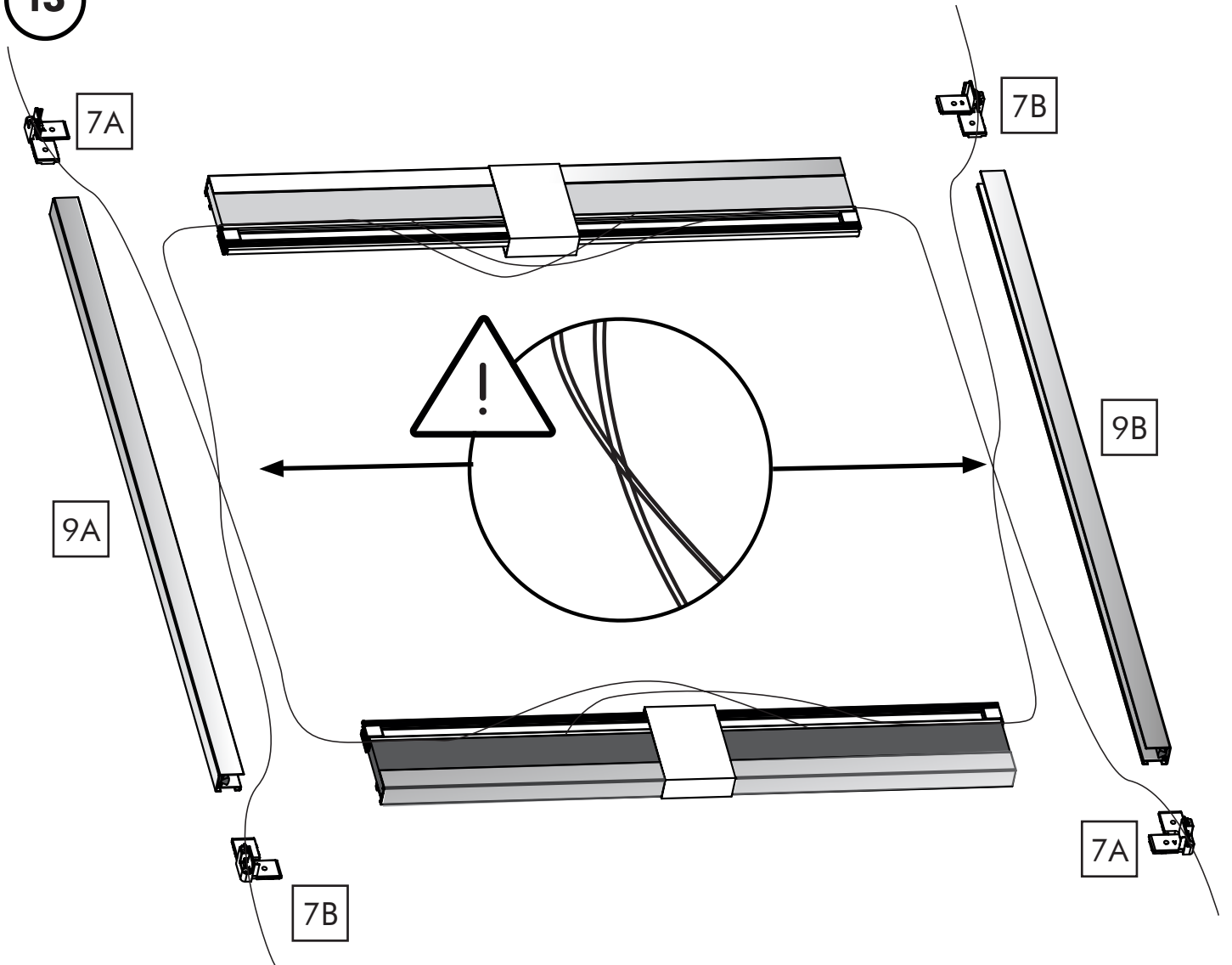




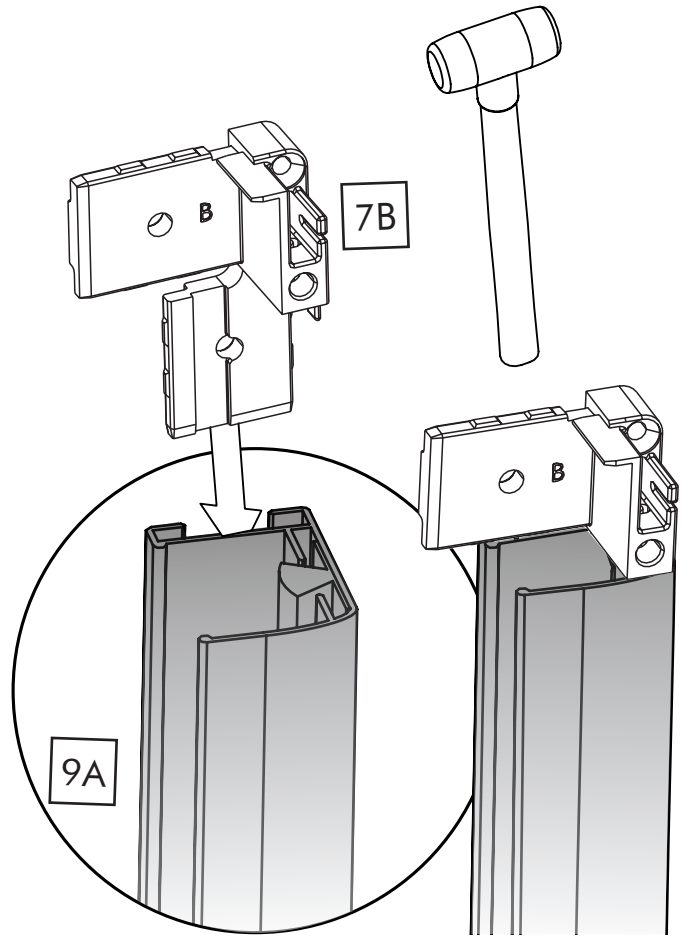
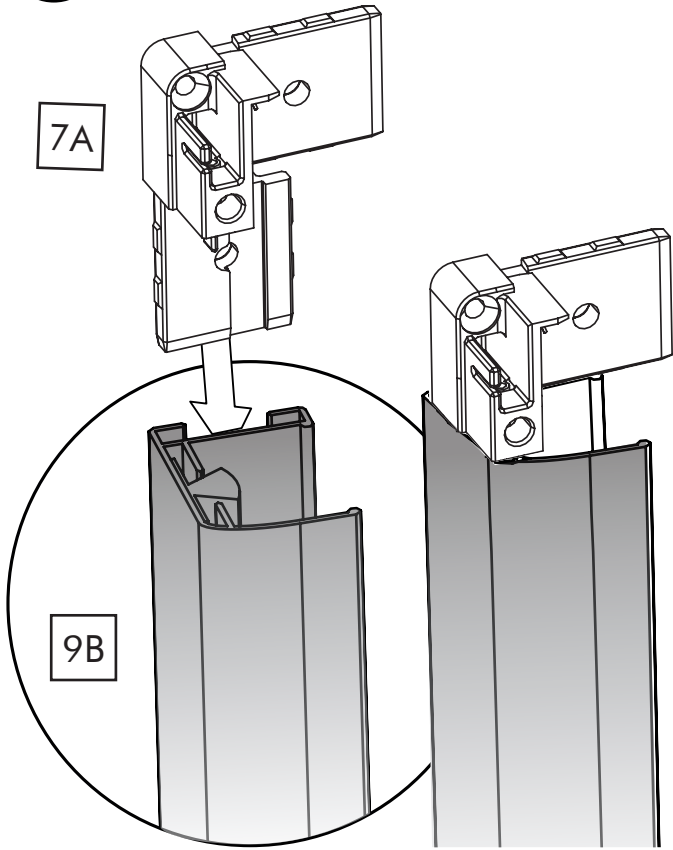
12



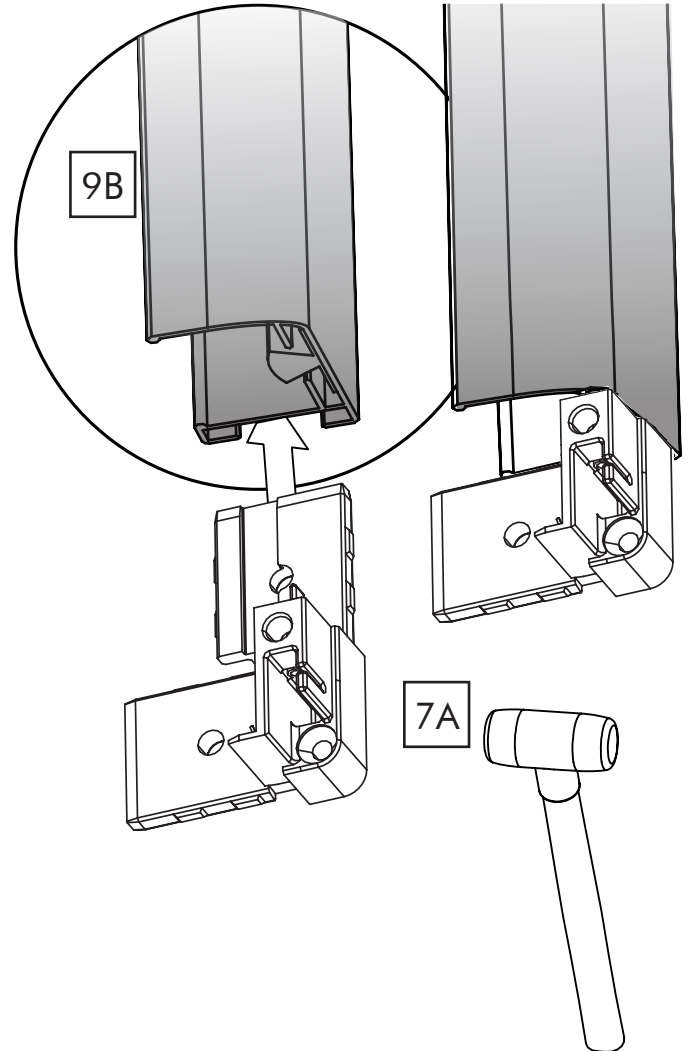
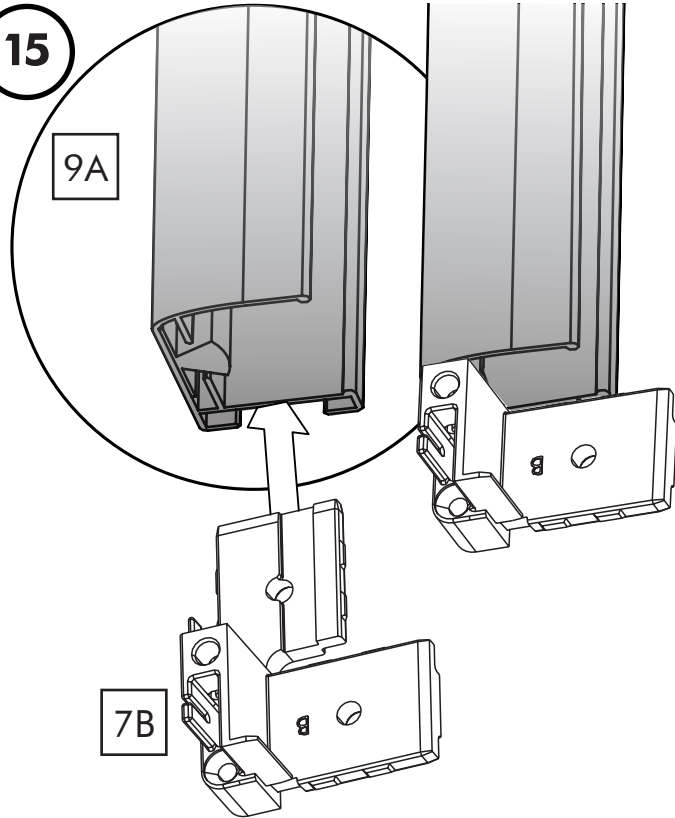
13



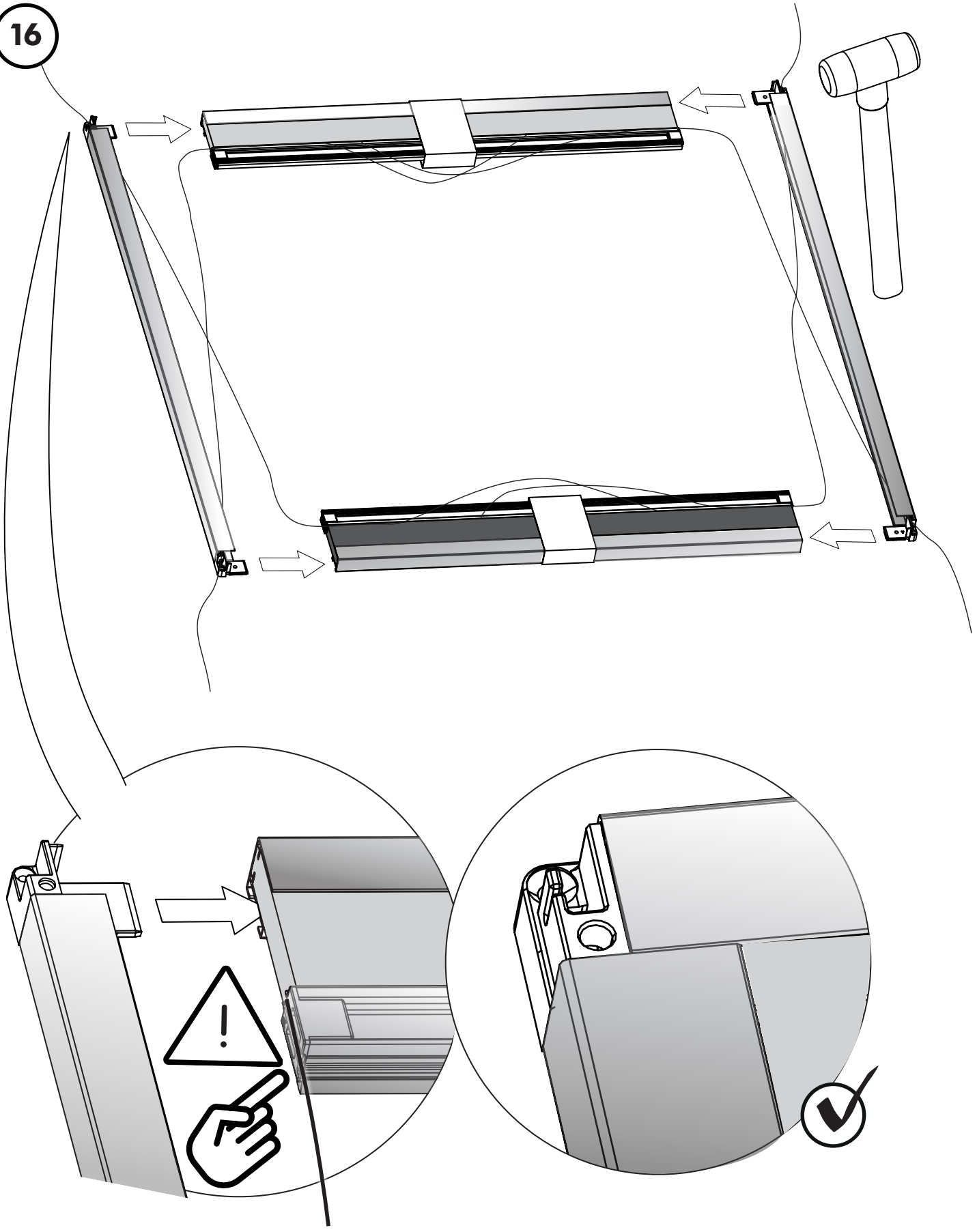
14



15

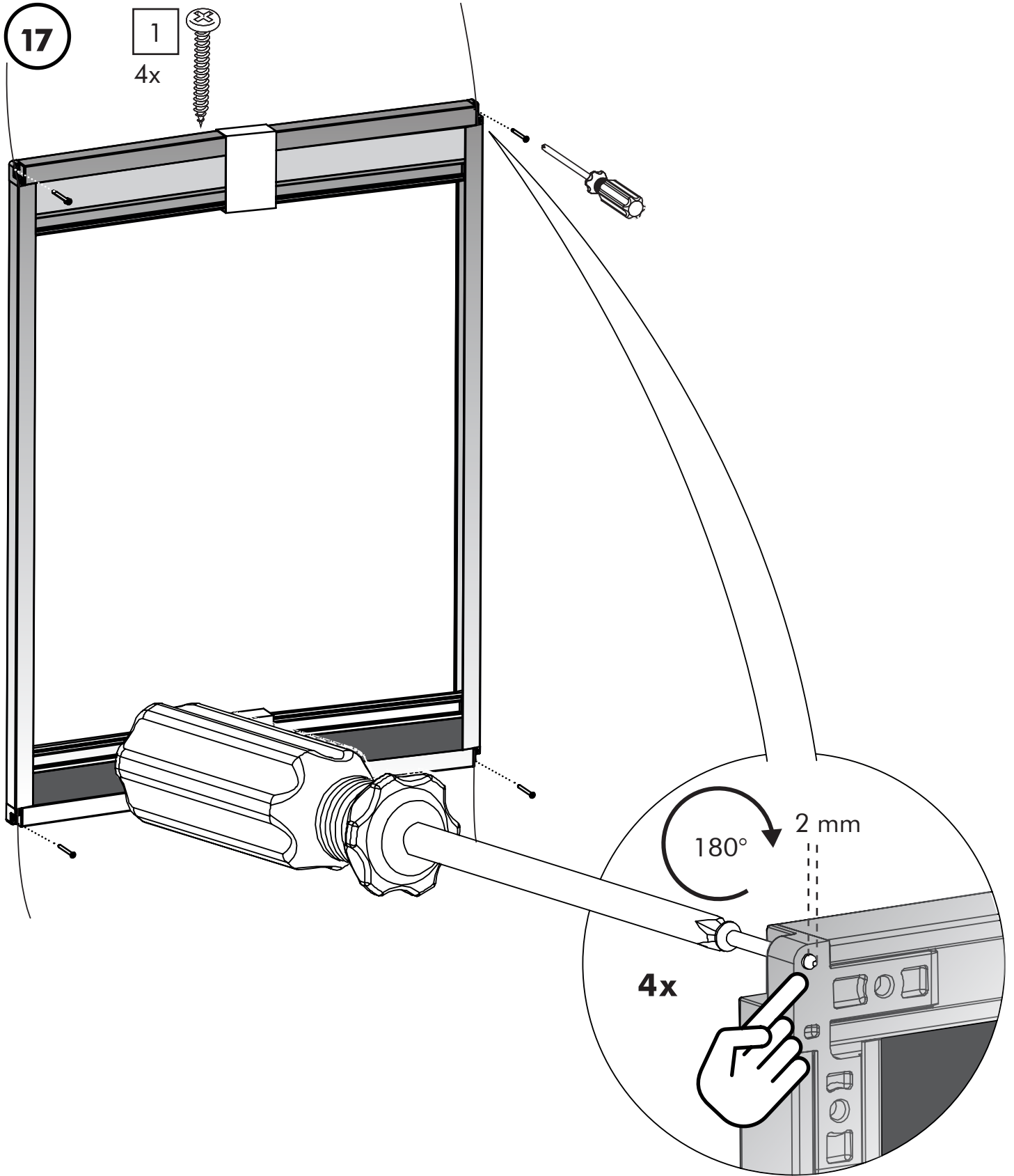


16

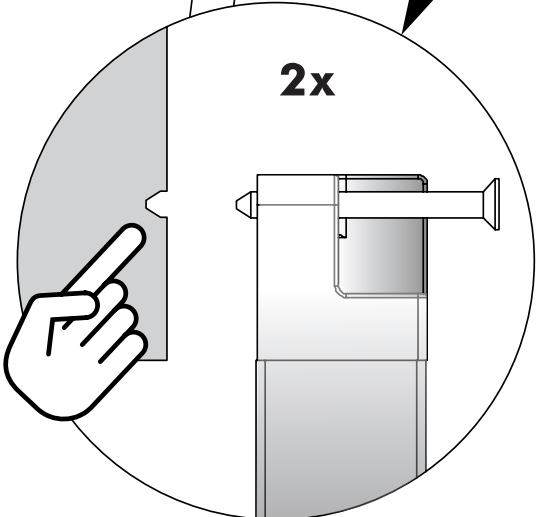
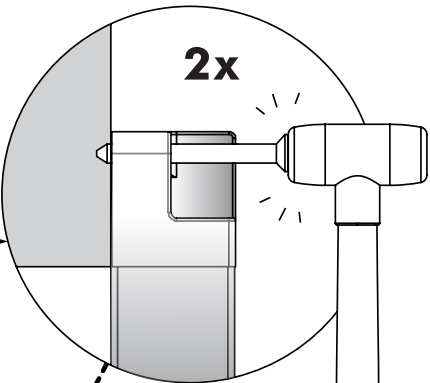
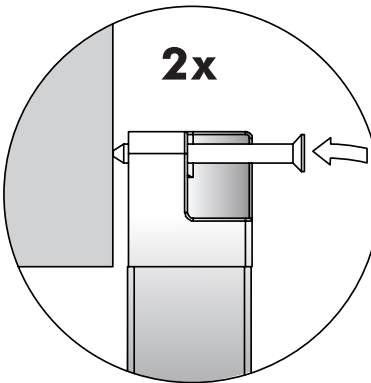
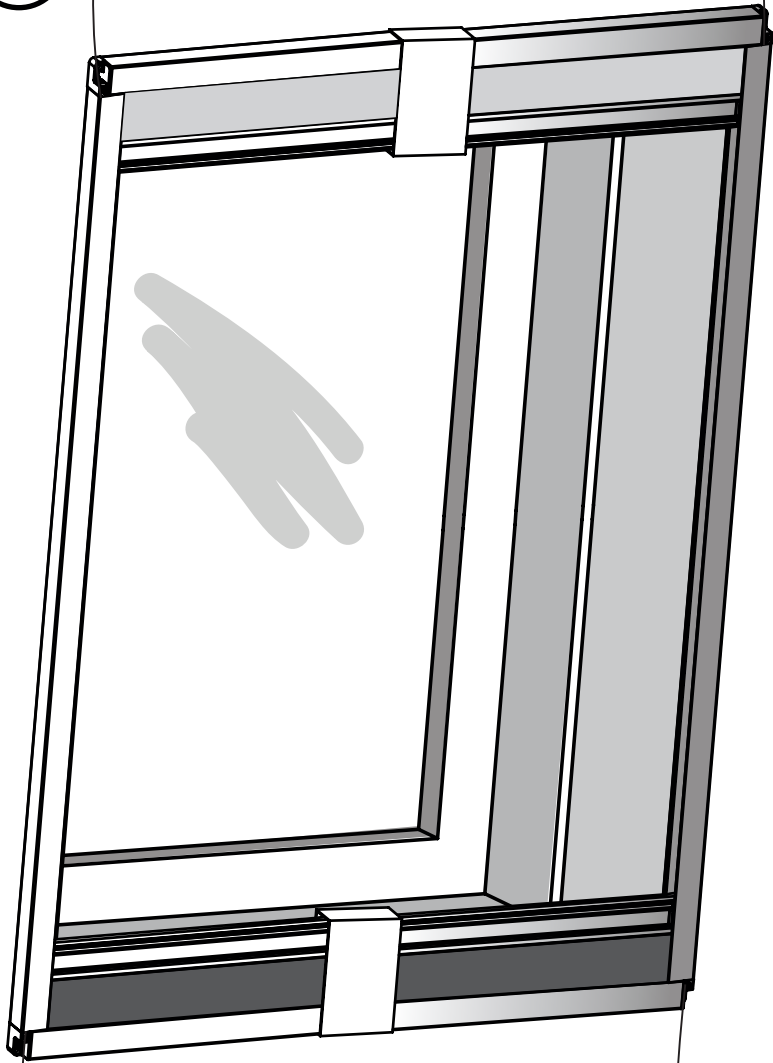
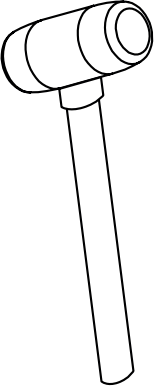


17

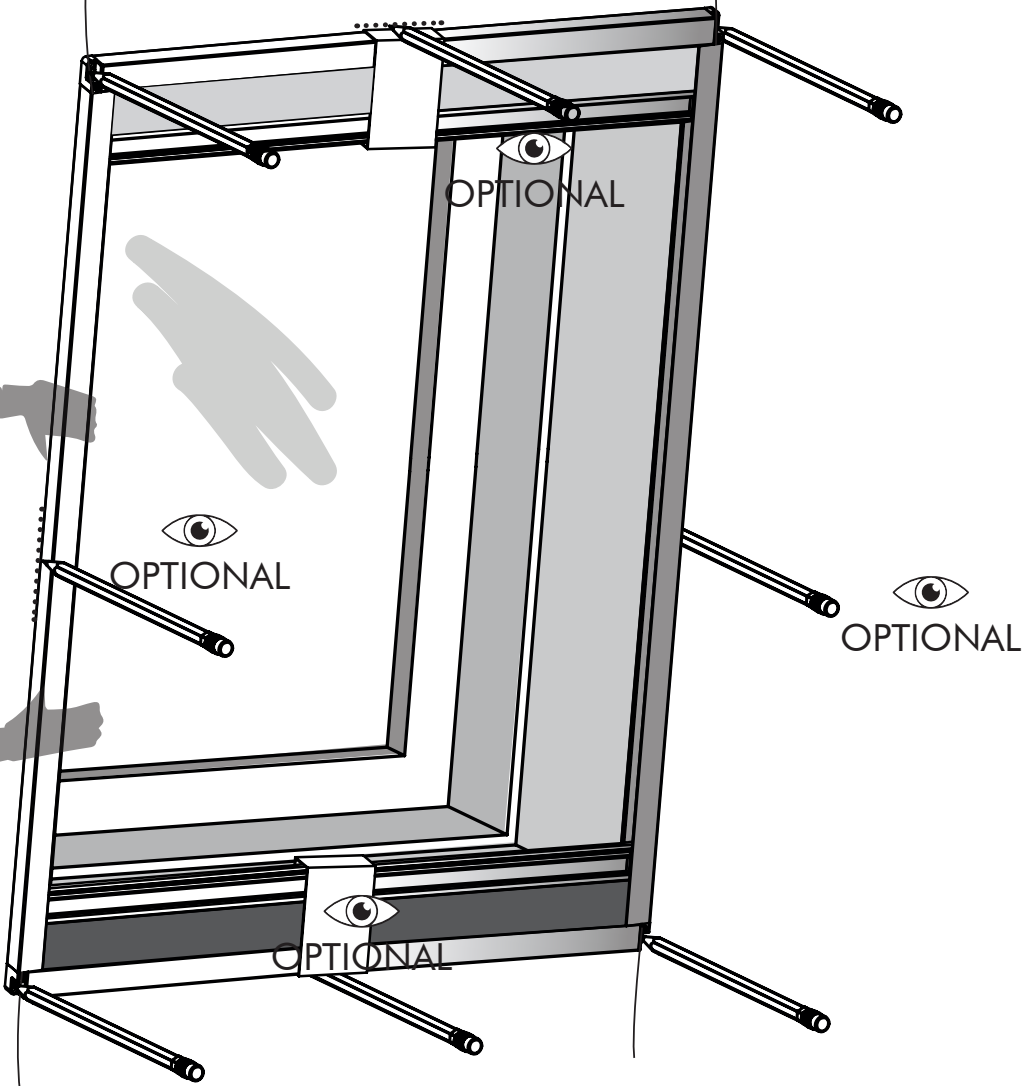
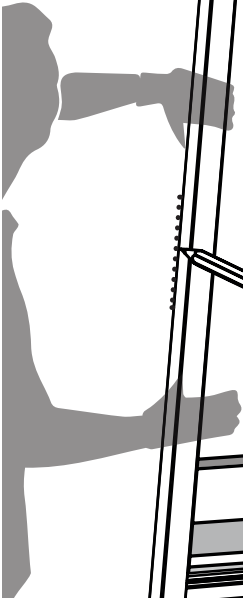
1
4x



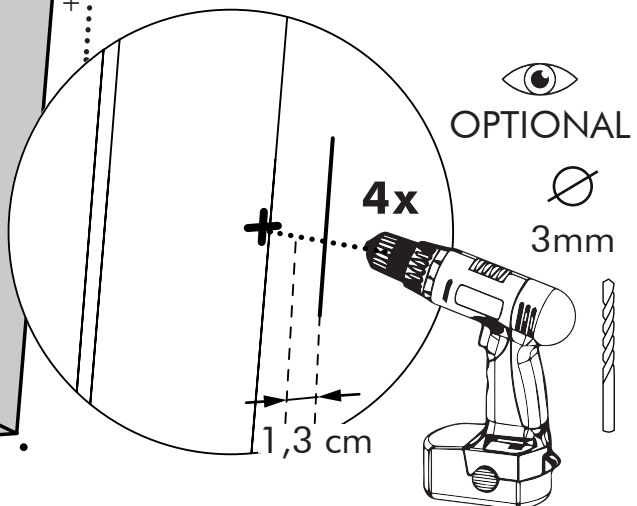
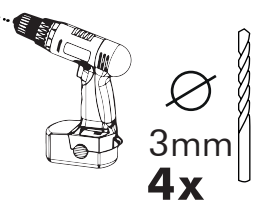
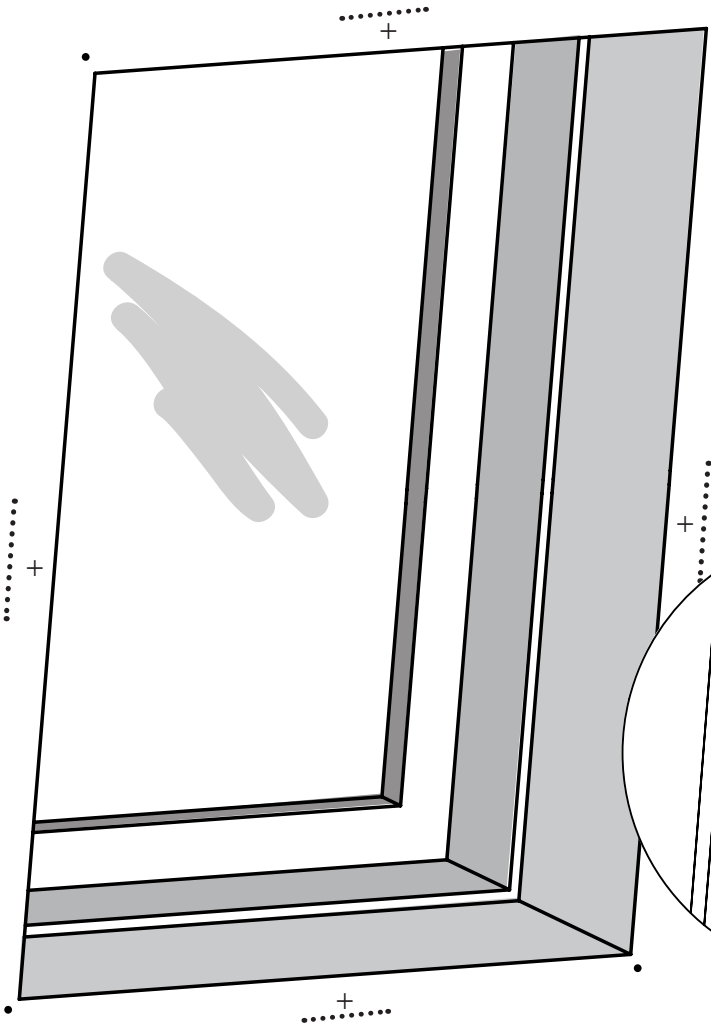
18



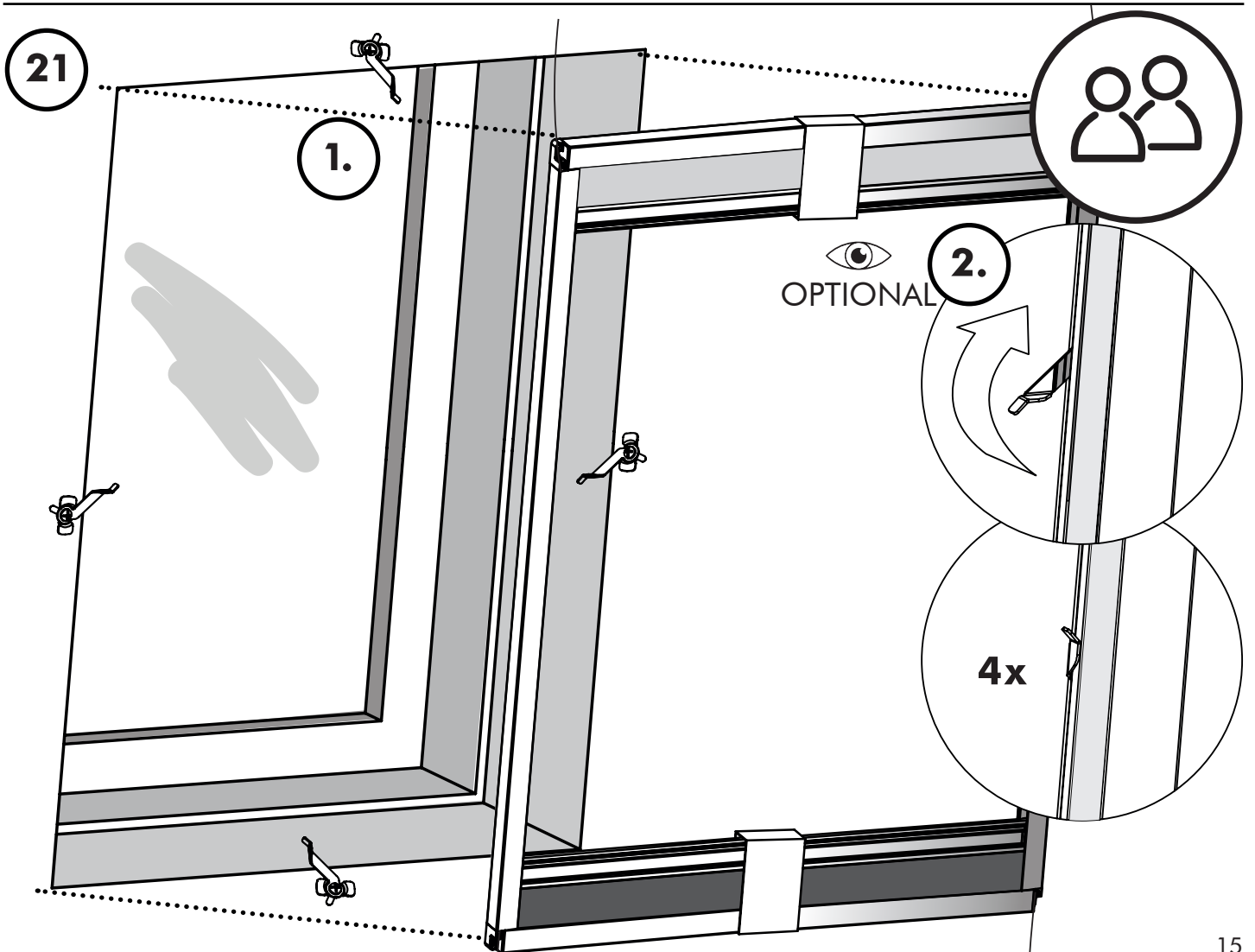
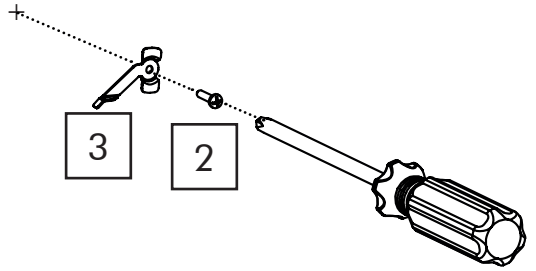
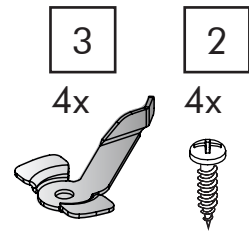
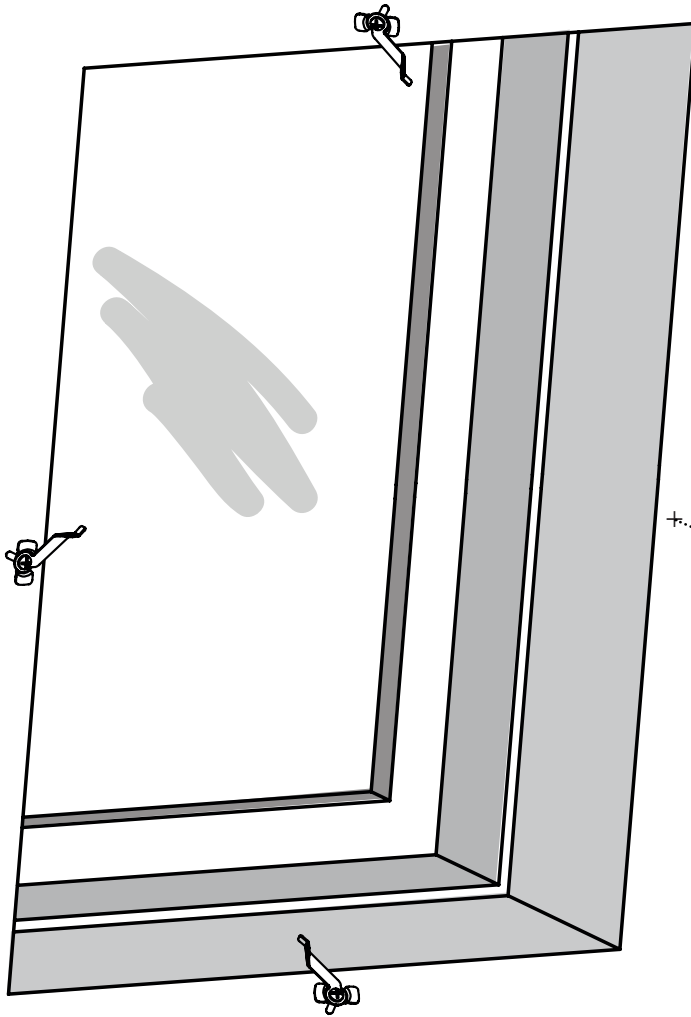
19



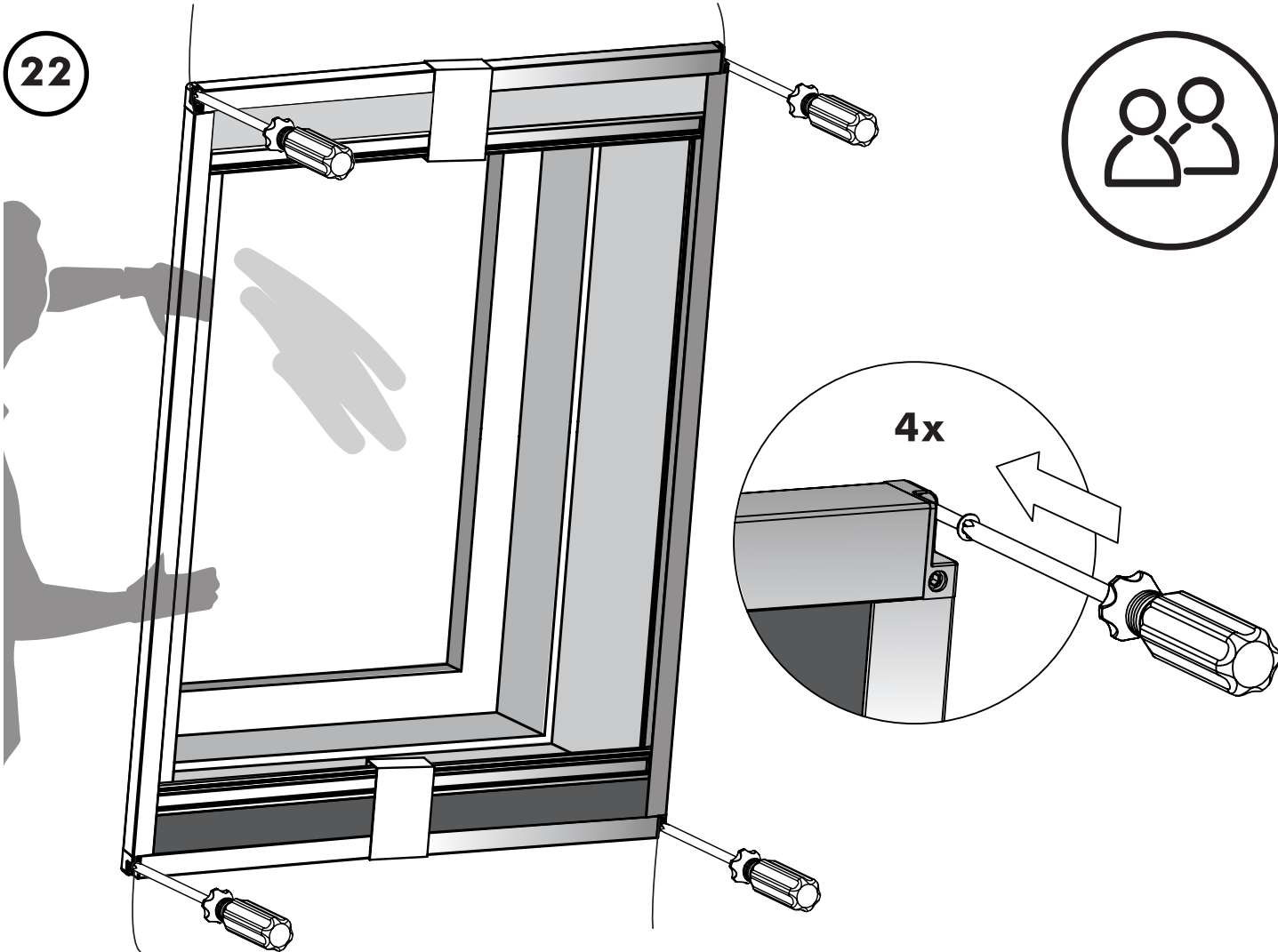
20



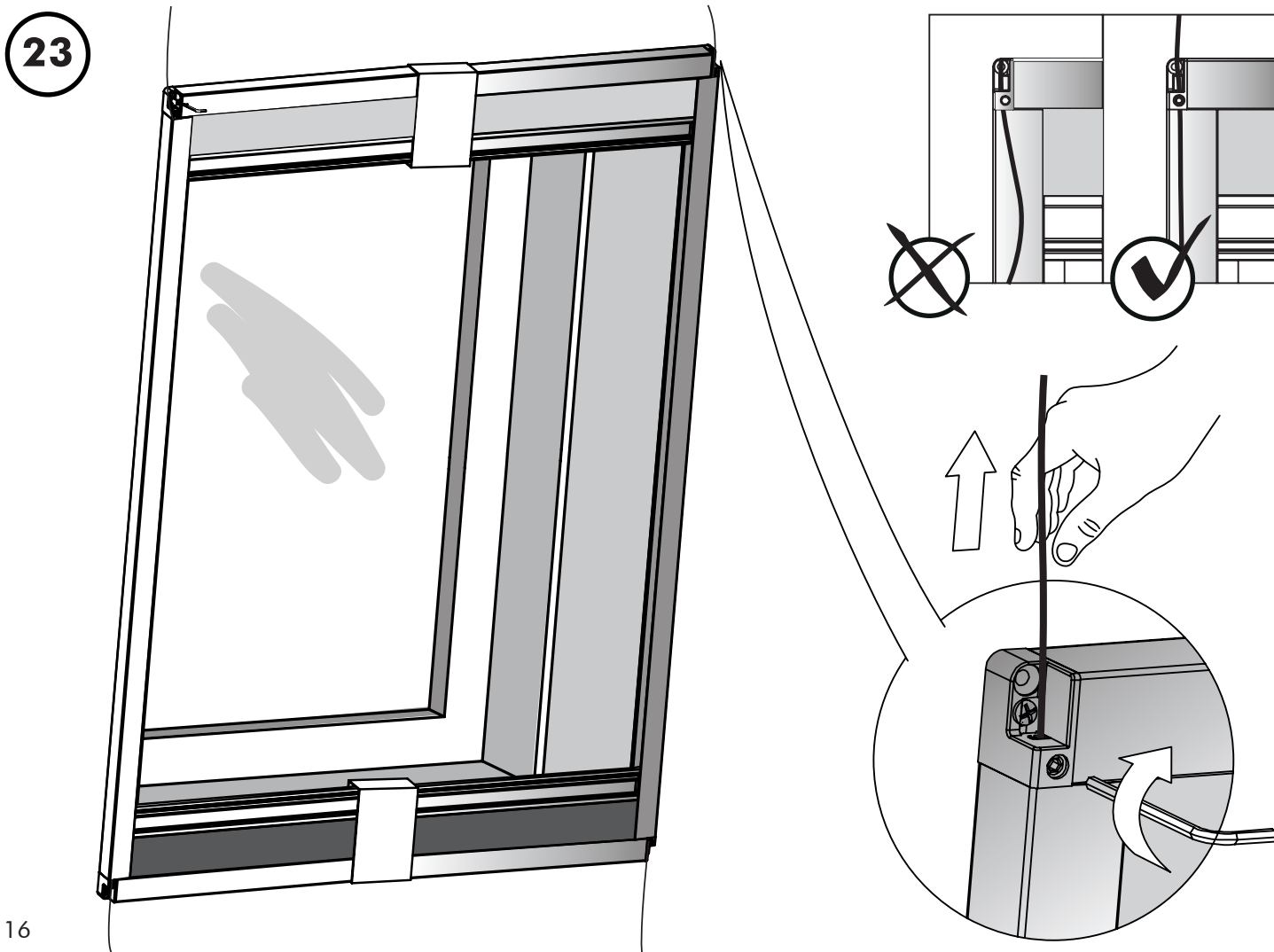

Optional



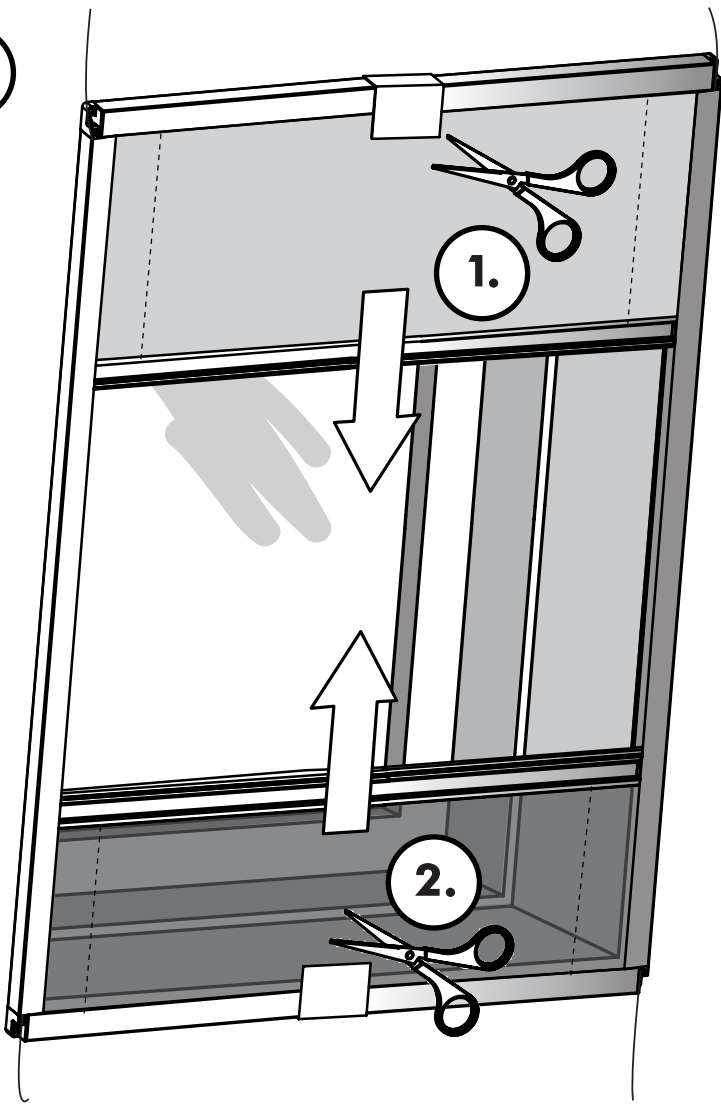
22



23



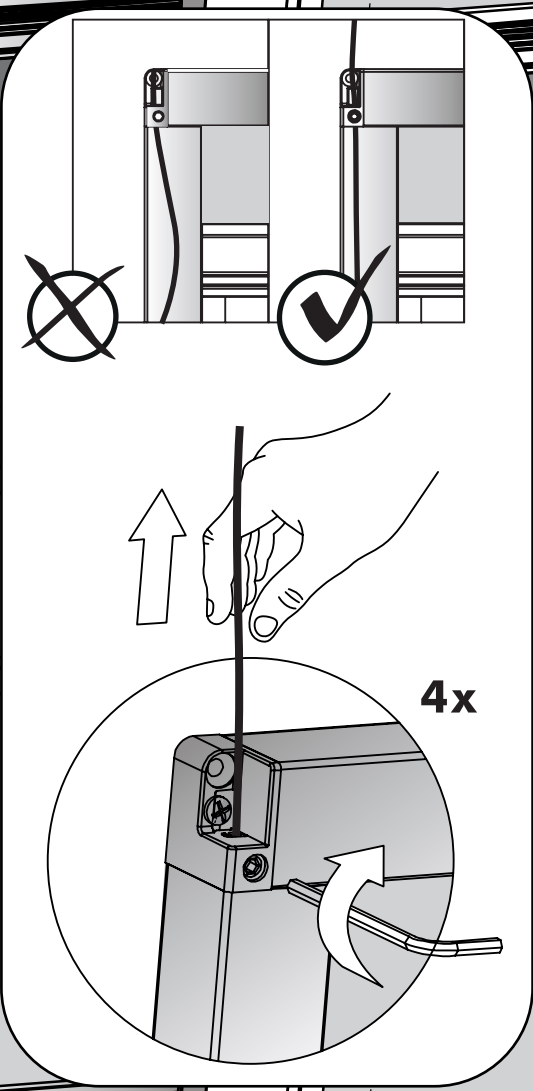
24



25

1.

2.

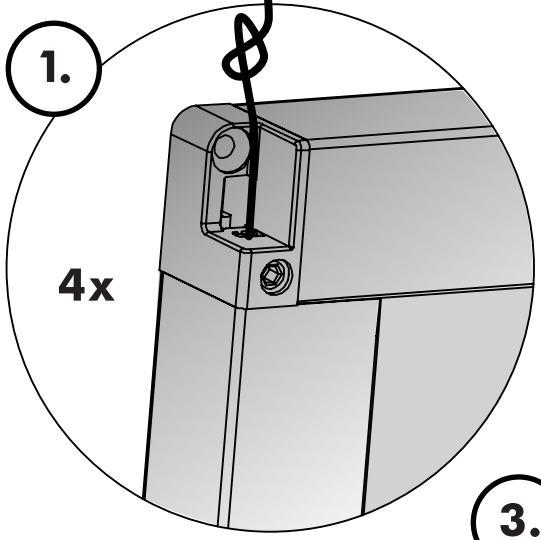


3.

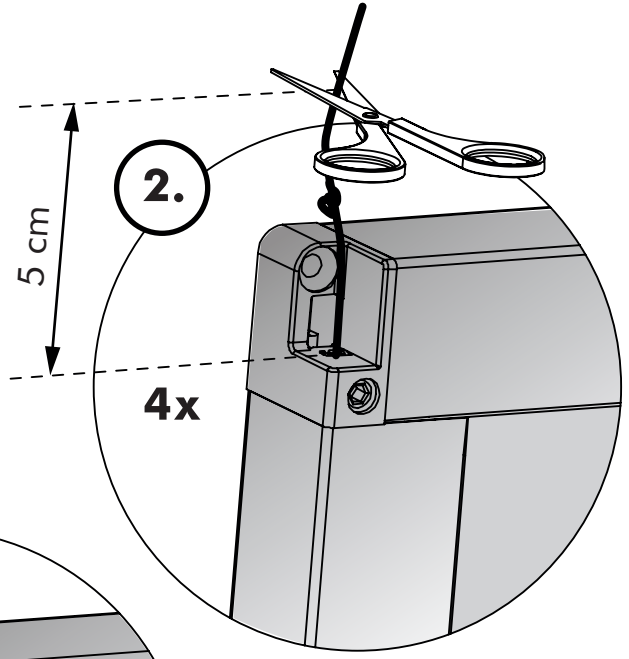
4.

26

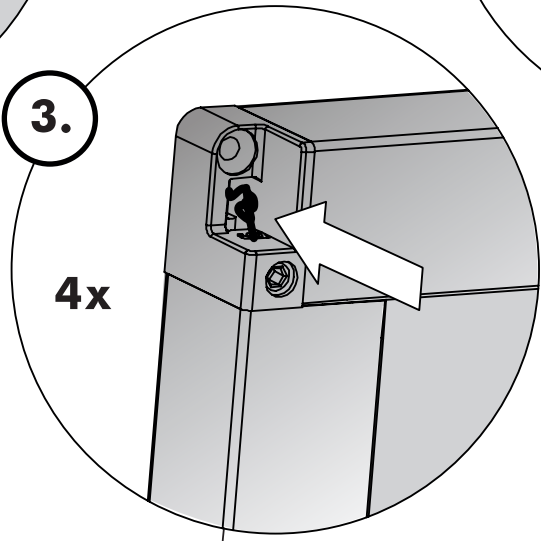
1.



2.



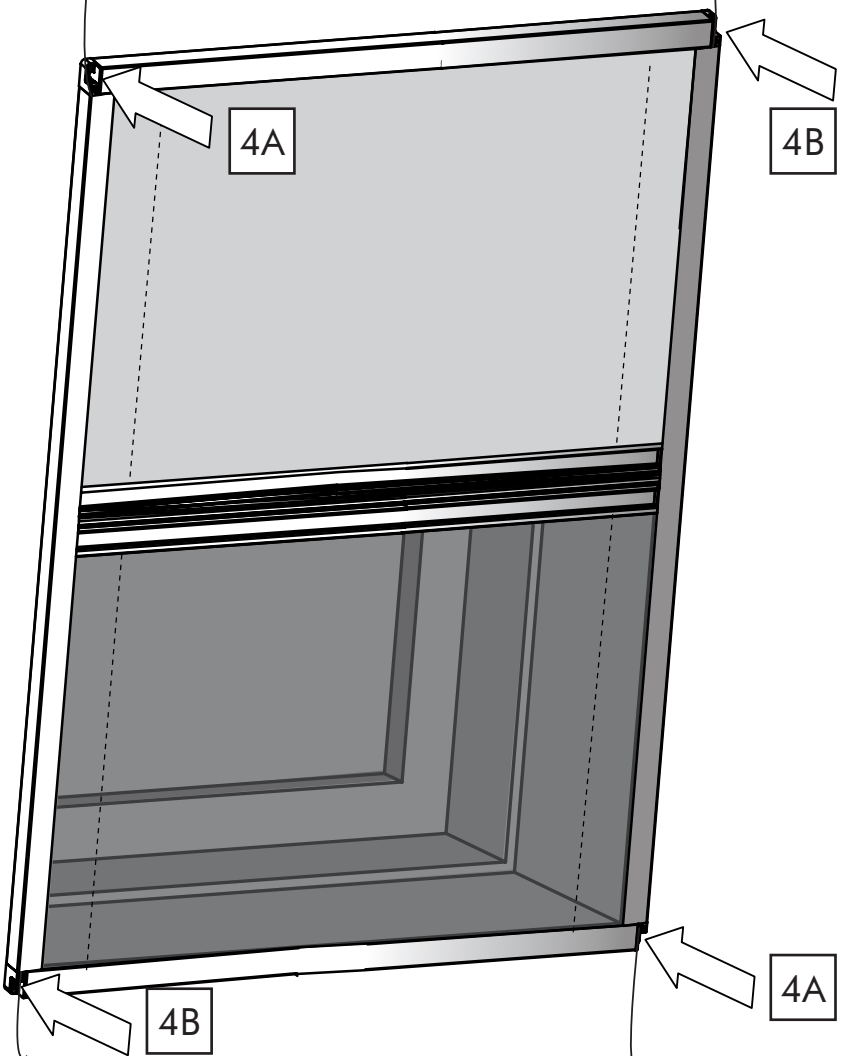
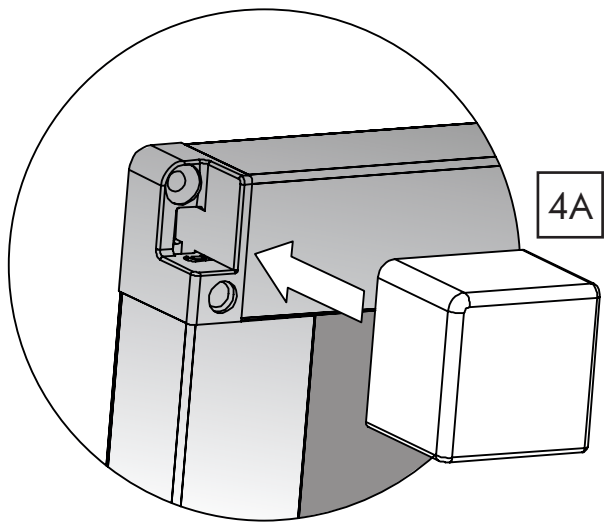
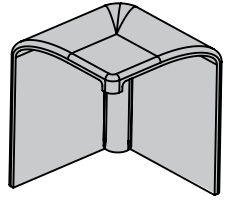
3.



27

5

4x





www.livn.nl