

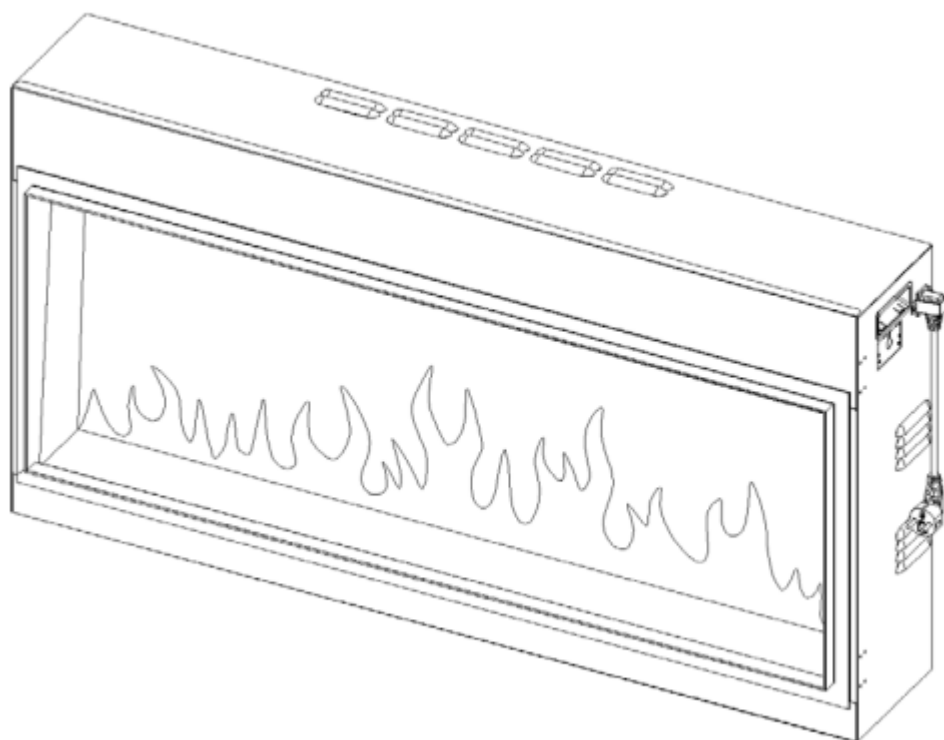


**EN** BUILT-IN FIREPLACE ESSENCE

**NL** INBOUWHAARD ESSENCE

**FR** CHEMINÉE ENCASTRABLE ESSENCE

**DE** EINBAU KAMIN ESSENCE



**EN** Instruction manual

**NL** Handleiding

**FR** Manuel d'instructions

**DE** Bedienungsanleitung

made easy

## Electric built-in fireplace with remote

### Important:

Please read the instruction manual carefully before installing or using the electric fireplace and please keep it for future reference. This manual is part of the device and should be stored with it. If sold to a third party, this manual should be supplied with the product. Liability will not be accepted, and the warrant shall not apply in case of improper use or failure to follow the safety instructions. For assistance or additional information, contact a qualified technician, the help desk, or the point of sale.

## SECTION 1: WARNINGS & ELECTRIC SPECIFICATIONS

### 1.1 Important Safety Instructions



**This symbol alerts you to potential hazards that can kill or hurt you and/or others**

#### DO NOT:

- Install or operate a damaged heater
- Modify the heater
- Operate the heater without fully assembling all components

#### WARNING!




**Improper installation, adjustment, alteration, service, or maintenance can cause injury or property damage.** Refer to the owner's information manual provided with this heater. For assistance or additional information consult a qualified installer, a service agency or your dealer.

#### WARNING!



When using electrical heaters, basic precautions should always be followed to reduce the risk of fire, electric shock, and injury to persons, including the following:

- Do not use this heater in the immediate surroundings of a bath, a shower, or a swimming pool.
- For indoor use only. This appliance is not suitable for use outside the house and only suitable for well insulated spaces or occasional use.
- Do not use this fire as a free-standing appliance. It must always be fixed to the wall.
- This appliance must not be supplied through an external switching device, such as a timer, or connected to the circuit that is regularly switched on and off by utility in order to avoid a hazard due to the inadvertent resetting of the thermal cut out.
- To reduce the risk of fire, keep textiles, curtains, or any other flammable material a minimum distance of 1 meter from the air outlet.

- Keep the power cord away from hot surfaces and hot conditions. Do not route the power lead in front of the appliance.
- This heater must be earthed. If in any doubt consult a suitable competent person.
- This heater must not be located immediately below a socket-outlet.
- This appliance can be used by children aged from 8 years and above, and persons with reduced physical, sensory or mental capabilities or lack of experience and knowledge if they have been given supervision or instruction concerning use of the appliance in a safe way and understand the hazards involved.
- Children shall not play with the appliance.
- Cleaning and user maintenance shall not be made by children without supervision.
- Children of less than 3 years should be kept away unless continuously supervised.
- Children aged from 3 years and less than 8 years shall only switch on/off the appliance provided that it has been placed or installed in its intended normal operating position and they have been given supervision or instruction concerning use of the appliance in a safe way and understand the hazards involved. Children aged from 3 years and less than 8 years shall not plug in, regulate, and clean the appliance or perform user maintenance.
- Some parts of this product can become very hot and cause burns. Particular attention has to be given where children and vulnerable people are present.
- DO NOT use this appliance in small rooms that are occupied by persons not capable of leaving the room on their own, unless constant supervision is provided.
- Do not cover: In order to avoid overheating, do not cover the heater.
- The meaning of figure in marking is “WARNING: DO NOT COVER”. 
- Warning: in order to avoid overheating, do not allow the appliance to be covered or let the air inlet/outlet become obstructed.
- Do not disconnect the appliance from the power while it is in operation. Use the functions of the remote control to switch off the fire and make sure that the main switch is in the OFF (“o”) position before removing the plug from the socket.
- If the power cord is damaged, it must be repaired by the manufacturer, its authorized service centre or professional person.
- Keep the power plug accessible after installation.
- Do not use this fire in rooms that have explosive gas in them (for example petrol), or if you are using solvents, glue, aerosol spray or in flammable paints, as these may catch fire.
- DO NOT use if there are visible signs of damage to the appliance.
- DO NOT use this appliance if it has been dropped.

## 1.2 Specifications

Model No.:	Essence (EF313A/EF314A/EF315A)
Supply Voltage:	AC 230-240V 50Hz
Maximum power consumption:	2KW
Power for flame and fuel bed effect:	

MODEL	EF313A	EF314A	EF315A
POWER	33.1W	35.2W	46.6W

### Heat Output:

Nominal heat output (Pnom):	2KW
Minimum heat output(indicative) (Pmin):	1KW
Maximum continuous heat output (Pmax):	2KW

### Auxiliary Electricity Consumption:

At nominal heat output (elmax):	12.5W
At minimum heat output (elmin):	12.0W
In standby mode (elSB):	1.43W

### Type of heat output / room temperature control

Single heat output setting and no room temperature control	No
Two or more manual settings, no room temperature control	No
With mechanic thermostat room temperature control	No
With electronic room temperature control	Yes
Electronic room temperature control plus day timer	Yes
Electronic room temperature control plus week timer	Yes

### Other Control Options

Room temperature control, with presence detection	No
Room temperature control, with open window detection	Yes
With distance control option	Yes
With adaptive start control	Yes
With working time limitation	No
With black bulb sensor	No

Control PCB	Remote Control Receiver	WiFi Module	Remote Control Transmitter
Hardware: RC01-059B V0 Software: RC01-059B01 V0	Frequency: FSK 433.92MHz Maximum transmit power: 10mW Hardware: RC05-014A V0	Frequency: 2.4GHz Maximum transmit power: 100mW Hardware: WR3 V1.0	Frequency: FSK 433.92MHz Maximum transmit power: 10mW Hardware: RF290H V1.1 Software: RCS19-V01.06

## SECTION 2: INSTALLATION

### Tools required

Magnetic Screw Driver .

### Content of the package

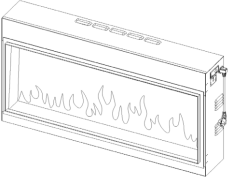



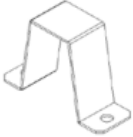

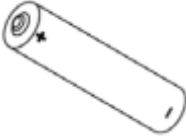
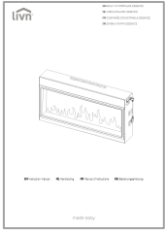




Mounting materials, remote control, batteries, user manual, electric fireplace.

### 2.1 Unpacking the Fireplace

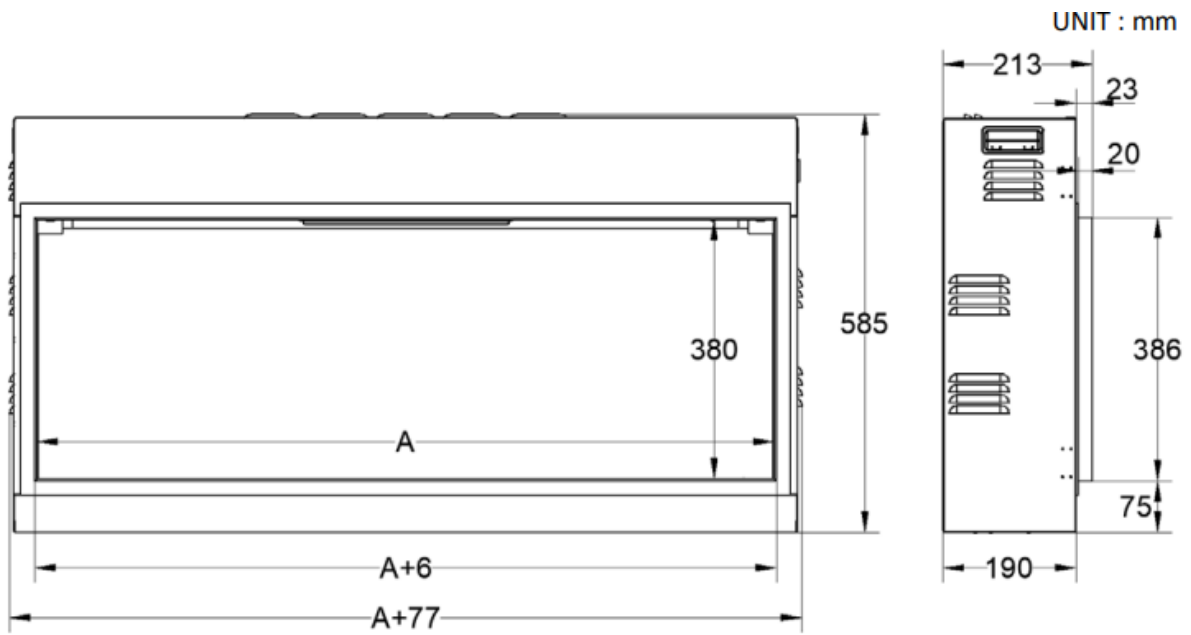


**WARNING!** Do NOT use this appliance if any part has been under water. Immediately call a qualified service technician to inspect and to replace any part of the electrical system if necessary. Keep plastic wrapping away from children.

- Open the packaging carefully and remove the foam; make sure that the appliance is intact, has no signs of damage caused by transport, and no part of it has been exposed to water. If in doubt, do not use the appliance and contact an authorized service center.
- Remove and discard the plastic bag.
- Be responsible when handling the packing materials.
- Keep the original packaging because this may be needed if you have a complaint about the product or for future transport and/or storage.
- Make sure that all parts are removed from the packing.
- Keep little children away before and during installation. Be aware that the little children do not be in contact with the parts.
- The electric fireplace can be installed almost anywhere in your home. Please, read and follow the instructions carefully by choosing a location. For the best result, install the electric fireplace not in direct sunlight.
- The appliance should be connected to an earthed electrical outlet that can be easily accessed to disconnect the device.

 <p>Firebox (1)</p>	 <p>Fixing bracket (4)</p>	 <p>Screw ST4*12 (4)</p>	 <p>Screw ST4*8 (10)</p>
 <p>Tail bracket (1)</p>	 <p>Remote handset (1)</p>	 <p>Battery AAA (2)</p>	 <p>Manual (1)</p>
 <p>APP manual (1)</p>	 <p>Power cord (1)</p>	 <p>Logs (1)</p>	 <p>Various types of stones (1)</p>

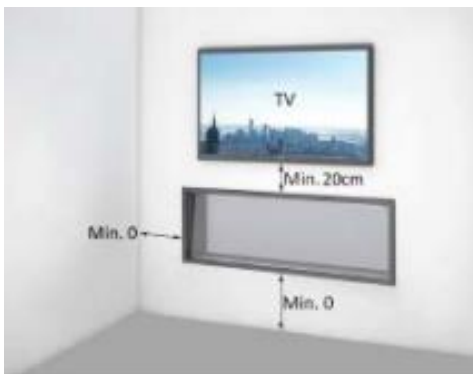
## 2.2 Dimensions



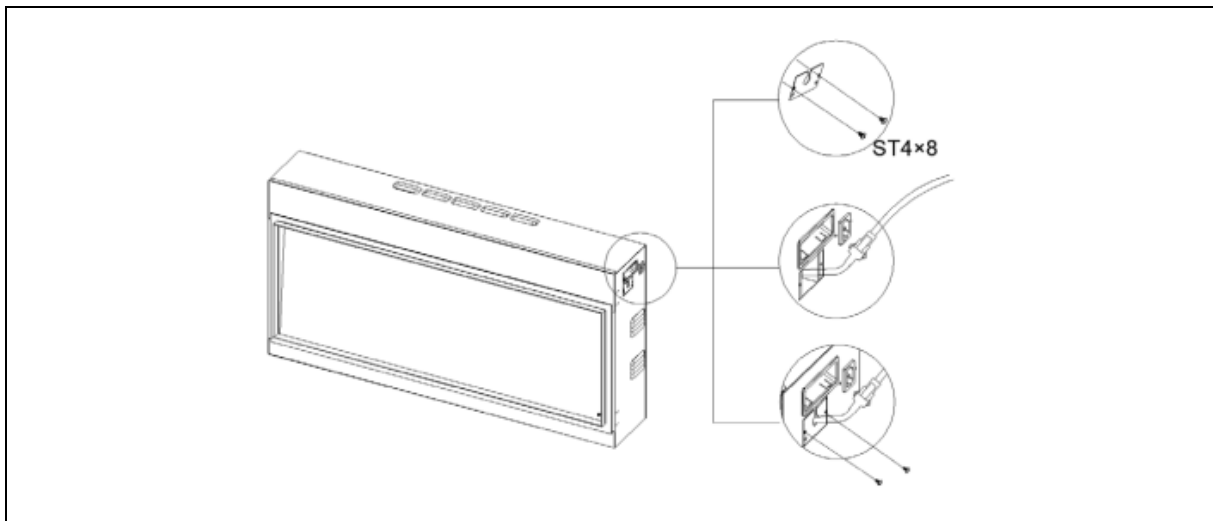
MODEL	EF313A	EF314A	EF315A
A	1355 mm	1555 mm	1955 mm

### Minimum Clearance to Combustibles

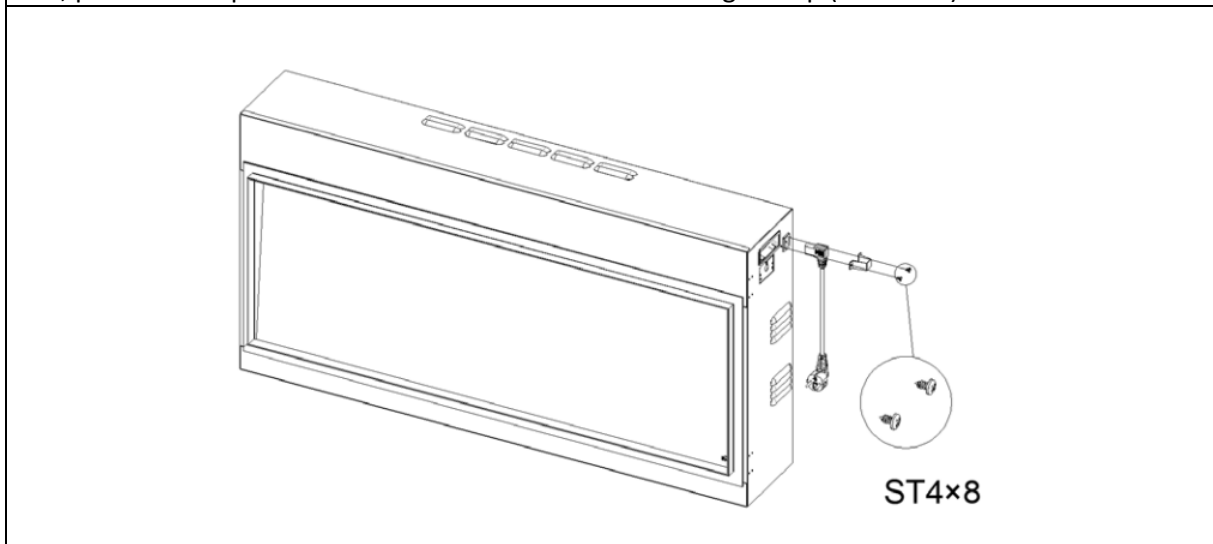
Sides ..... 0 cm  
 Floor ..... 0 cm  
 Top (Mantel or TV)..... 20 cm  
 Back ..... 0 cm  
 Front ..... 100 cm



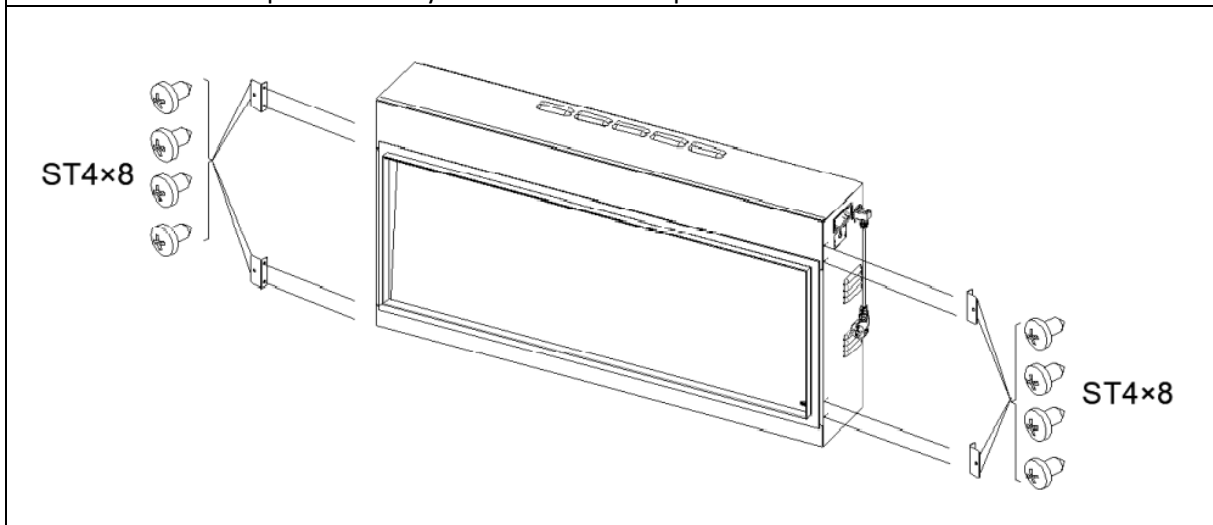
## 2.3 Installation



**STEP 1.** Remove the protective cover of the plug for mood light. Pull the mood light connection plug out, put back the protective cover and connect the mood light strip (if needed).

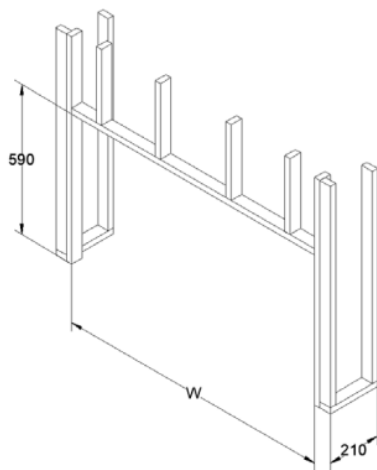


**STEP 2.** Connect the power cord by a tail bracket and 2pcs ST4\*8 screws.



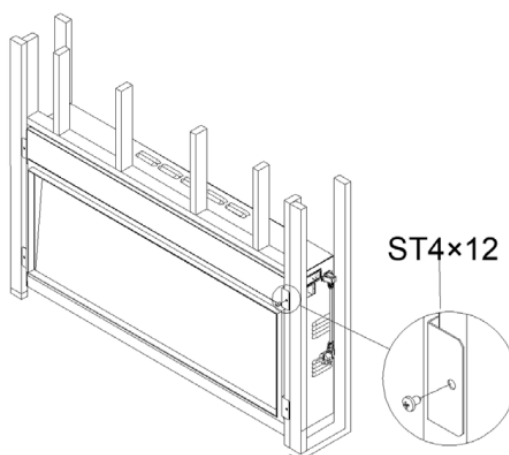
**STEP 3.** Fix 4pcs of the fixing brackets by 8 pcs ST4x8 screws in the correct position (as shown above), paying attention to the direction.





MODEL	EF313A	EF314A	EF315A
W	1442 mm	1642 mm	2042 mm

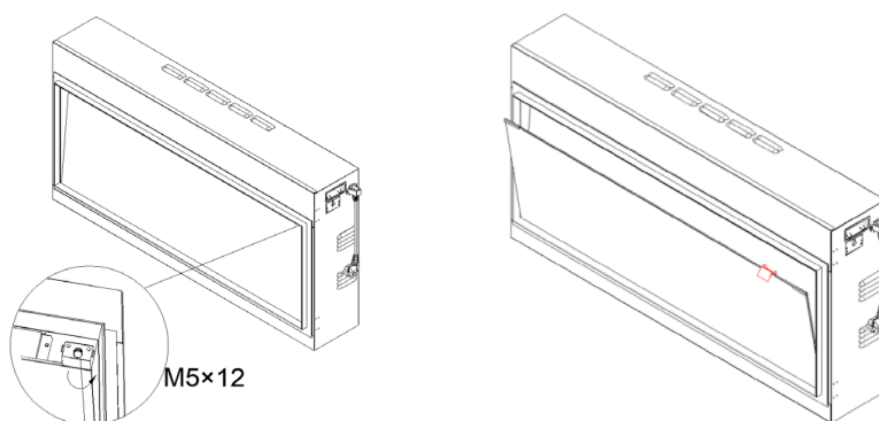
**STEP 4a.** Build a frame.



**STEP 4b.** Secure the appliance to the frame.

**STEP 4c.** Plug in and test the functions.

**STEP 4d.** Finish the wall.



**STEP 4e.** Remove the front glass. Arrange the fuel bed. Re-Install the glass.

## SECTION 3: OPERATING INSTRUCTIONS

**WARNING:** Do not operate the appliance if it is damaged or has malfunctioned. If you suspect the appliance is damaged or has malfunctioned, call a qualified service engineer to inspect the appliance, and replace any part of the electrical system, if necessary, before re-use.

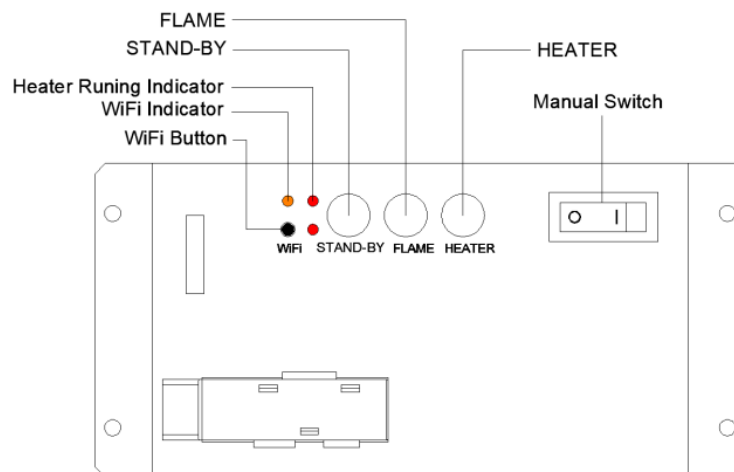
**MAKE SURE** that the plug fits tightly into the outlet. Faulty wall outlet connections or loose plugs can cause the outlet to overheat.

This appliance can be operated in 3 different ways: manually, via remote control handset or via the dedicated iOS / Android app. For app control, please read the app manual. Once the unit has been properly connected to an earthed electrical outlet, turn on the main power switch that is located on the control panel in the top-right corner of the firebox.

**NOTE!** To use the remote, manual and app functions, the manual on/off switch must be in 'ON' position. A long beep is heard to indicate the fire is ready for use. In order to protect the product not becoming too hot, there is 10 seconds delay when turning on the heater; also, there is 10 seconds delay when turning off the heater fan.

### 3.1 Operating by Manual Button

**NOTE!** The manual button on the fire box unit will not provide you with all function control, and its propose is to control some basic function when you lose the remote handset. Please use the remote hand set to carry out all functions.



#### MANUAL SWITCH BUTTON

Press to turn the power to the appliance on or off. "I" = ON, "O" = OFF.

#### STAND BY BUTTON

Cuts off heat to the appliance while remembering the last used settings. Place the appliance into standby mode with all features turned off.

#### FLAME BUTTON

Press to scroll through 3 preset flame colors and the off setting.

## HEATER BUTTON

Press to scroll through low heat, high heat and off setting.

## WIFI BUTTON

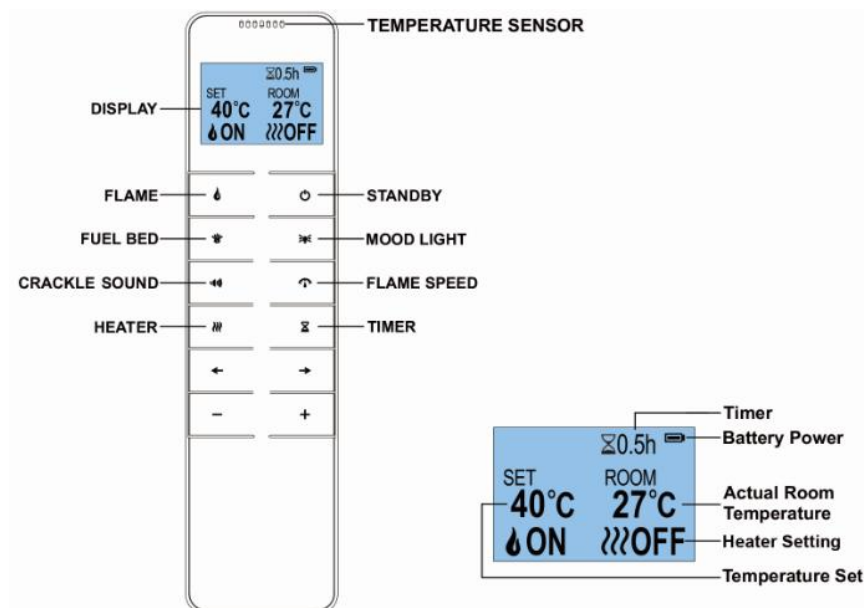
Press to turn WiFi on or off. An illuminated LED indicates that WiFi is turned on. Hold the button for 3 seconds to enter device pairing mode.









**NOTE:** The controls on appliance will lose the memory for all function settings when the switch is set to the Off Position. When the remote runs out of power or when you change the batteries, only the flame function will lose memory and will not affect the timer settings, however, the clock may need adjusting.

### 3.2 Operating by Remote Handset

- Make sure the batteries are installed properly in the remote control.
- The effective range of the remote control is up to 6 meters.
- Aim the remote control at the remote receiver located at the top-right corner of the firebox.

**NOTE:** This is a thermostatic remote control. The remote should always be in the same room as the fireplace and placed on a flat surface. It must be placed away from the heater so the hot air will not blow on it and affect thermostatic reading.



ICON	TITLE	FUNCTION
	Power ON/OFF	Turn on/off flame, fuel bed. If the heater is in Heating AUTO mode, press to turn the auto mode off.
	Flame	Press to turn on/off the flame. Press ←, → to select 3 flames and off. Press +, - to select flame brightness.
	Fuel bed	Press to turn on/off the fuel bed. Press ←, → to select 8 settings for fuel bed. Press +, - to select fuel bed brightness.
	Heater	Press to turn on the heater. Total 4 heating modes: LOW-HIGH-OFF-AUTO. Press +, - to set the temperature between 5-40°C.
	Timer	Press to turn the timer on. First press to set the time to 0.5H, press again to scroll through 1H,2H,3H,4H,5H,6H,7H,8H,9H,10H, off. While heater is in AUTO mode, set timer to turn all functions off including Heating AUTO mode.
	Mood light	Press to scroll through mood light 1, 2, ... 13. Press +, - to select Mood light brightness.
	Sound effect	Press to scroll through sound 1, 2 and off mode. Press +, - to select volume.
	Flame speed	Press for flame speed. Press +, - to select flame speed.

NOTE: Press '←' or '→' for 3s to switch the temperature unit between °C and °F.

### **Important safety information for battery**

- Two AAA batteries are required for the remote control.
- Use your thumb to press and push down the battery cover on the back, then remove the cover and take out or insert the battery. Then place the battery cover back back in place.
- These (non-rechargeable) AAA batteries must not be recharged.
- Different types of batteries or new and used batteries must not be mixed.
- Batteries must be inserted with the correct polarity.
- Exhausted batteries must be removed from the appliance and safely disposed of.
- The batteries should be removed if the remote control is going to be stored unused for a long period of time.
- The power terminals must not be short-circuited.

### **Resetting the thermal cut out**

- The appliance is equipped with Electronic Safety Control (E.S.C). This is a safety device that switches the fire off if, for any reason, the appliance overheats, e.g. when covered. If the fire stops operating while the flame effect continues to work normally, this indicates that E.S. Control has been activated. E.S. Control can only be re-set after the appliance has cooled down, and the appliance has been reset. E.S. Control can be reset as follows:
- Switch off the appliance (Manual switch) and leave it off for approximately 10-15 minutes.
- Remove anything that may be obstructing the fan heater outlet, fan blades, etc. Before doing so, make sure that the power supply is disconnected at the plug socket outlet.
- Switch on the appliance , and E.S. Control will be reset.
- Make sure that the appliance is functioning correctly. If E.S. Control is activated again, the appliance should be checked by a qualified electrician.

### **Set up the communication between the remote and appliance**

The below operations should be carried out before programming, when changing to a new remote or in the event the appliance cannot be controlled by the remote:

- Press the POWER ON/OFF button on the control panel for 3 seconds after turning on the appliance, you will hear two long beeps from the unit.
- Then within 10 seconds press the POWER ON/OFF button on the remote, a long beep indicates that setting up the communication between the remote and appliance is done.
- If not, repeat the steps above.
- Resetting the code for remote control is necessary if the appliance operates wrongly or the remote control does not operate correctly.
  - Open the back cover of the remote control.
  - Press the Reset button on remote handset.

### **Window open detection**

If the sensor detects a rapid drop in room temperature, it will be identified as an open window, the warning icon 'OPn' will be displayed and heating will turn off automatically. The fire will return to normal operating mode once the warning has been overridden manually (by operating touch control panel or remote control or heat button on APP).

## SECTION 4: MAINTENANCE



**Warning:** Before any maintenance and/or cleaning the exterior of the fireplace, disconnect the unit from the power supply and leave until cooled off.

### 4.1 Battery Replacement Remote Handset

Battery replacement is recommended after 1 year. Replace with 2 AAA batteries. Make sure the batteries are installed correctly in the remote control. Dispose of old batteries at an appropriate recycling facility.

### 4.2 Maintaining motors

The motors used for the fan and flame effect are pre-lubricated for extended service life and require no further lubrication. However, periodic cleaning/vacuuming of the fan/heater unit is recommended.

### 4.3 Cleaning the Fireplace

You can clean the exterior of the fireplace with a soft, damp, lint-free cloth. Do not use cleaning or polishing products. To remove fingerprints or other marks on the front glass panel, use a soft, damp, lint-free cloth with a good quality household glass cleaner. The front glass panel should always be completely dried with a clean, lint-free cloth or paper towel.



**Caution:** Do not use abrasive cleaners on the glass panel. Do not spray liquids directly onto any surface of the unit.



**Caution:** Other maintenance must be performed by a competent electrician.

### 4.4 Environment



Meaning of crossed-out wheeled dustbin:

Do not dispose of electrical appliances as unsorted municipal waste, use separate collection facilities.

Contact your local government for information regarding the collection systems available. If electrical appliances are disposed of in landfills or dumps, hazardous substances can leak into the groundwater and get into the food chain, damaging your health and well-being. When replacing old appliances with new ones, the retailer is legally obligated to take back your old appliance for disposals at least free of charge.

Please contact WEEE Care Plc via 0844 8002004 to have this appliance recycled at the end of its service life. The relevant producer number is WEE/MM3069AA.



This fireplace complies with Safety Standards EN 60335-1 and EN 60335-2-30, which cover essential requirements for Electrical Equipment (Safety) Regulations 2016 (S.I. 2016/1101), as well as EMC standards EN55014-1; EN 55014-2; EN 61000-3-2 and EN 61000-3-3, which cover essential requirements under the Electromagnetic Compatibility Regulation 2016 (S.I. 2016/1091).

GIMEG Nederland B.V. – Atoomweg 99 – 3542 AA – Utrecht – The Netherlands

## Elektrische inbouwhaard met afstandsbediening

### Belangrijk:

Lees de handleiding zorgvuldig door voordat u de elektrische open haard installeert of gebruikt, en bewaar hem voor toekomstig gebruik. Deze handleiding maakt deel uit van het apparaat en moet bij het apparaat worden bewaard. Als u het apparaat doorverkoopt, dient u deze handleiding bij het product mee te leveren. Bij onjuist gebruik of het niet opvolgen van de veiligheidsinstructies is de fabrikant niet aansprakelijk voor de gevolgen hiervan en vervalt het recht op garantie. Neem voor hulp of aanvullende informatie contact op met een gekwalificeerde servicemonteur, de helpdesk of uw verkoper.

## DEEL 1: WAARSCHUWINGEN & ELEKTRISCHE GEGEVENS

### 1.1 Belangrijke veiligheidsinstructies



**Dit symbool waarschuwt u voor mogelijke gevaren die u en/of anderen kunnen doden of verwonden**

#### NOOIT DOEN:

- Een beschadigde kachel installeren of gebruiken
- Het verwarmingselement veranderen
- De kachel gebruiken zonder volledig samenvoegen van alle onderdelen

#### WAARSCHUWING!




**Onjuiste installatie, aanpassing, wijziging, service of onderhoud kan letsel of materiële schade veroorzaken.** Raadpleeg voor informatie de handleiding die bij deze kachel zit. Voor hulp of meer informatie neem contact op met een erkende installateur, een servicecenter of uw dealer.

#### WAARSCHUWING!



Bij gebruik van elektrische kachels moeten de voorzorgsmaatregelen altijd zorgvuldig opgevolgd worden om het risico op brand, elektrische schok en persoonlijk letsel te beperken. Inclusief het volgende:

- Gebruik deze kachel nooit in de onmiddellijke nabijheid van een bad, een douche of een zwembad.
- Schakel de elektrische haard pas in totdat het goed is geïnstalleerd, zoals beschreven in de handleiding.
- Laat de elektrische haard nooit branden terwijl u weg bent.
- Laat de elektrische haard nooit aangesloten op het stroomnet terwijl u weg bent.
- De elektrische haard is bedoeld voor huishoudelijk gebruik en mag niet worden gebruikt voor industriële doeleinden.
- Gebruik de elektrische haard niet met natte handen.
- Gebruik de elektrische haard niet buiten.
- Gebruik de elektrische haard niet op of in de buurt van hete oppervlakten.

- De elektrische haard mag pas schoon gemaakt worden, als de elektrische haard is ontkoppeld van het netstroom/stopcontact en als de elektrische haard volledig is afgekoeld.
- Maak de elektrische haard nooit schoon met agressieve schoonmaakmiddelen.
- Gebruik nooit accessoires die niet zijn aanbevolen door Livn. Het kan gevaar opleveren voor de gebruiker of schade aan de elektrische haard.
- Deze kachel moet worden geaard. Neem bij twijfel contact op met een hiervoor bevoegd persoon.
- Om onbedoeld resetten van de thermische beveiliging te vermijden, dient dit toestel niet te worden verbonden aan een externe schakelinrichting, zoals een timer of verbonden circuit dat regelmatig aan en uit wordt geschakeld. Het toestel moet ten alle tijden direct aangesloten worden op een wandcontactdoos.
- Deze kachel mag niet direct onder een stopcontact worden gemonteerd.
- Dit apparaat mag worden gebruikt door kinderen vanaf 8 jaar en ouder en personen met verminderde lichamelijke, zintuiglijke of geestelijke vermogens of gebrek aan ervaring en kennis mits onder begeleiding of als ze goed worden geïnstrueerd over het gebruik van het apparaat op een veilige manier en ze begrijpen wat de gevaren zijn.
- Kinderen mogen niet met het apparaat spelen.
- Reiniging en onderhoud door kinderen boven de 8 jaar alleen onder toezicht.
- Kinderen onder 3 jaar moeten worden weggehouden van de kachel tenzij onder continue begeleiding van een ouder.
- Kinderen tussen 3 jaar en 8 jaar mogen alleen het apparaat aan/uit zetten, mits deze geïnstalleerd is zoals aangegeven in de handleiding en ze onder toezicht staan of worden geïnstrueerd over het gebruik van het apparaat op een veilige manier en begrijpen wat de mogelijke gevaren zijn. Kinderen tussen 3 jaar en 8 jaar mogen het apparaat niet aansluiten, regelen of reinigen, of hier onderhoud op uitvoeren.
- Sommige delen van dit apparaat kunnen zeer heet worden en brandwonden veroorzaken. Vooral kinderen en kwetsbare mensen moeten hiertegen beschermd worden door een verantwoord persoon.
- Gebruik dit apparaat NIET in kleine ruimten waar mensen aanwezig zijn die de kamer niet zelfstandig kunnen verlaten, tenzij er constant toezicht is.
- Bedek nooit de kachel, dit om oververhitting te voorkomen.
- Dit gemarkeerde figuur betekent: "WAARSCHUWING: NIET BEDEKKEN". 
- Gebruik de elektrische haard niet met een beschadigde stekker of snoer, na een storing, na een val of wanneer de haard op enige wijze is beschadigd. Controleer regelmatig of het snoer en de kachel geen beschadigingen hebben.
- Als de voedingskabel is beschadigd, moet deze door de fabrikant, een erkend servicecentrum of een professioneel persoon worden gerepareerd.
- Om de kans op brand uit te sluiten, houd alle brandbare materialen (waaronder meubels, gordijnen, textiel) op minimaal 1 meter afstand van het verwarmingselement.
- Zorg ervoor dat het netsnoer nooit over scherpe randen gaat, in aanraking komt met hete oppervlakten of in de knoop komt.



- Laat het netsnoer niet draaien onder tapijten, karpetten etc.
- De stekker moet altijd bereikbaar blijven na installatie.
- Dompel het product nooit in water andere vloeistoffen.
- Sluit de elektrische haard niet aan op een tijdschakelaar of een stroomvoorziening die regelmatig in- en uitschakelt door een programma.
- Koppel de haard niet los van de stroom wanneer deze in werking is. Gebruik de functies van de afstandsbediening om de haard uit te schakelen en zorg ervoor dat de hoofdschakelaar in de OFF ("o") positie staat, voordat u de stekker uit het stopcontact haalt.
- Houd het elektra snoer weg van het verwarmingselement. Begeleid het elektra snoer nooit over de voorzijde van de haard.
- Gebruik de haard niet in een ruimte waar explosieve stoffen bewaard worden (zoals petroleum).
- Gebruik dit apparaat NIET als er zichtbare tekenen van schade aan het apparaat zijn.
- Gebruik dit apparaat NIET als het is gevallen.

## 1.2 Specificaties

Model no.	Essence (EF313A/EF314A/EF315A)
Voedingsspanning:	AC 230-240V 50Hz
Maximaal verbruik:	2KW
Spanning voor vlam en vlambedeffect:	

MODEL	EF313A	EF314A	EF315A
POWER	33.1W	35.2W	46.6W

### Warmte opbrengst:

Nominale warmteopbrengst (Pnom):	2KW
Minimale warmteopbrengst (stand 1) (indicative) (Pmin):	1KW
Maximale warmteopbrengst (stand 2) (Pmax):	2KW

### Elektriciteitsverbruik (zonder warmteopbrengst):

Bij nominale warmteafgifte (elmax):	12.5W
Bij minimale warmteafgifte (elmin):	12.0W
Stand-by modus (eISB):	1.43W

### Type warmteafgifte / kamertemperatuurregeling

Enkele warmteafgifte-instelling en geen kamertemperatuurregeling	Nee
Twee of meer handmatige instellingen, geen kamertemperatuurregeling	Nee
Met mechanische thermostaat, kamertemperatuurregeling	Nee
Met elektronische kamertemperatuurregeling	Ja
Elektronische kamertemperatuurregeling plus dagtimer	Ja
Elektronische kamertemperatuurregeling plus weektimer	Ja

### Andere besturingsopties

Kamertemperatuurregeling, met aanwezigheidsdetectie	Nee
Kamertemperatuurregeling, met openraamdetectie	Ja
Met optie voor afstandsbediening	Ja
Met adaptieve startregeling	Ja
Met werktijdbeperking	Nee
Met globesensor	Nee

Besturings-printplaat	Ontvanger afstandsbediening	WiFi-module	Zender afstandsbediening
Hardware: RC01-059B V0 Software: RC01-059B01 V0	Frequentie: FSK 433.92MHz Maximaal zendvermogen: 10 mW Hardware: RC05-014A V0	Frequentie: 2,4 GHz Maximaal zendvermogen: 100 mW Hardware: WR3 V1.0	Frequentie: FSK 433.92MHz Maximaal zendvermogen: 10 mW Hardware: RF290H V1.1 Software: RCS19-V01.06

## DEEL 2: INSTALLATIE

### Benodigd gereedschap

Magnetische schroevendraaier.

### Inhoud van de verpakking

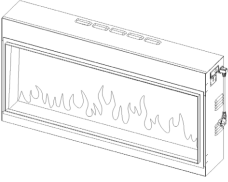



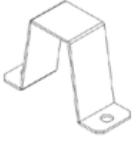
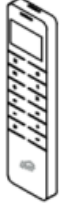
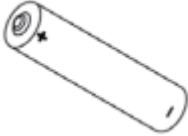
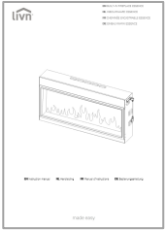




Montagematerialen, afstandsbediening, batterij, gebruikshandleiding, elektrische inbouwhaard.

### 2.1 Uitpakken van de haard

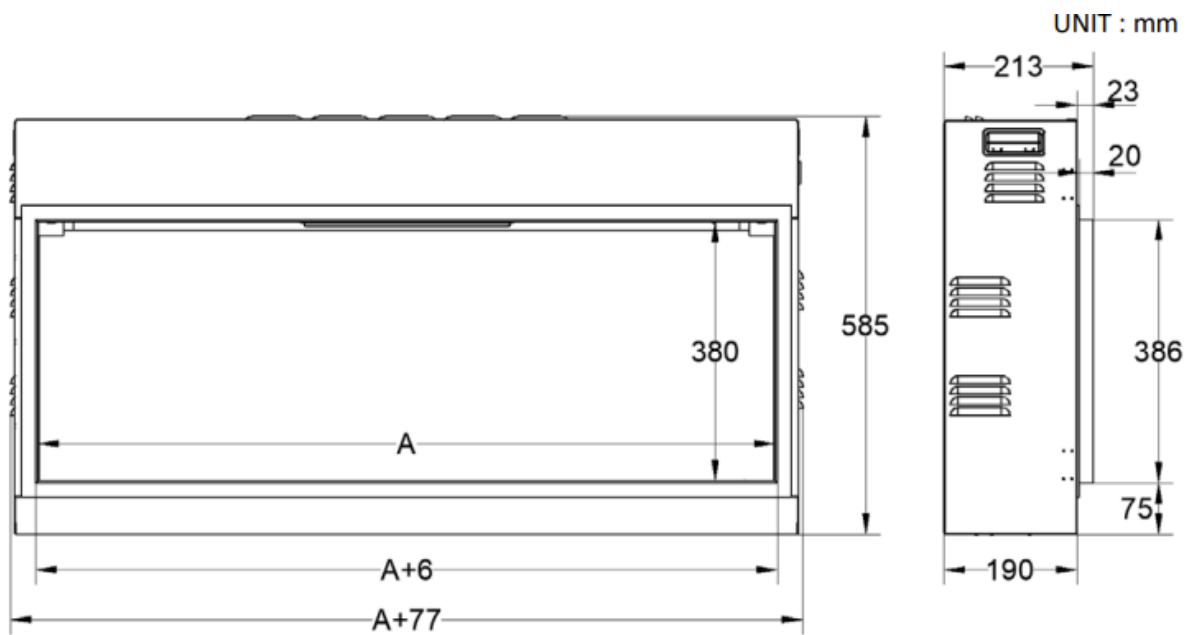


**Waarschuwing!** Gebruik het apparaat nooit als een van de onderdelen nat is geweest. Neem dan eerst contact op met een gekwalificeerd onderhoudstechnicus voor controle en/of vervanging van elektrische onderdelen indien nodig. Houd de plastic verpakking uit de buurt van kinderen.

- Open de verpakking voorzichtig en verwijder het schuim; controleer of het apparaat intact is, geen tekenen van transportschade vertoont en of geen enkel onderdeel ervan blootgesteld is geweest aan water. Neem het apparaat bij twijfel niet in gebruik en neem contact op met een erkend servicecentrum.
- Verwijder de plastic zak.
- Bewaar de originele verpakking want u heeft deze misschien nodig als u een klacht heeft over het product of als u het in de toekomst wilt transporteren en/of opslaan.
- Controleer of u alle onderdelen uit de verpakking heeft genomen voordat u de verpakking opbergt.
- Neem de elektrische haard niet in gebruik als 1 of meer onderdelen nat zijn. Laat de onderdelen direct door een erkende monteur inspecteren en eventueel onderdelen vervangen.
- Laat kleine kinderen niet in aanraking komen met de losse onderdelen tijdens montage.
- Sluit het apparaat aan op een geaard stopcontact dat goed toegankelijk is, zodat u het apparaat gemakkelijk kunt loskoppelen.
- Voor het beste resultaat, installeer de elektrische haard niet in direct zonlicht.

 <p>Haard (1)</p>	 <p>Bevestigingsbeugel (4)</p>	 <p>Schroef ST4*12 (4)</p>	 <p>Schroef ST4*8 (10)</p>
 <p>U-beugel (1)</p>	 <p>Afstandsbediening (1)</p>	 <p>Batterij AAA (2)</p>	 <p>Handleiding (1)</p>
 <p>App-handleiding (1)</p>	 <p>Voedingskabel (1)</p>	 <p>Houtblokken (1)</p>	 <p>Diverse soorten stenen (1)</p>

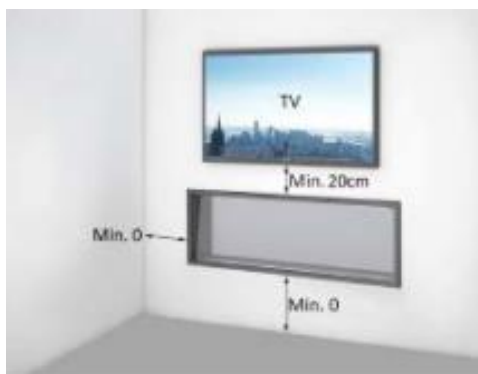
## 2.2 Afmetingen inbouwhaard (in mm)



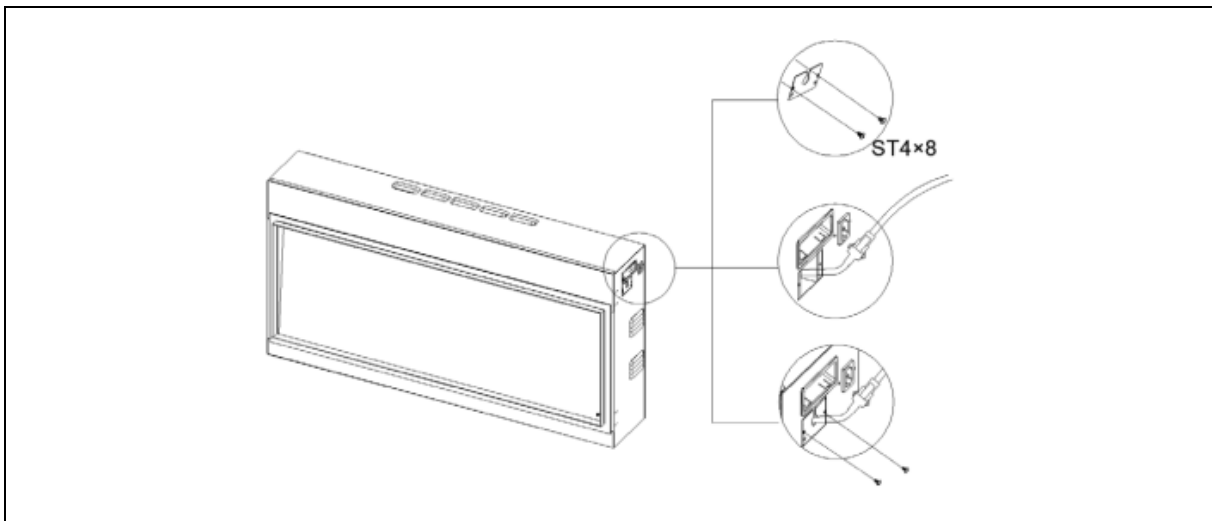
MODEL	EF313A	EF314A	EF315A
A	1355 mm	1555 mm	1955 mm

### Minimale afstand tot brandbare stoffen

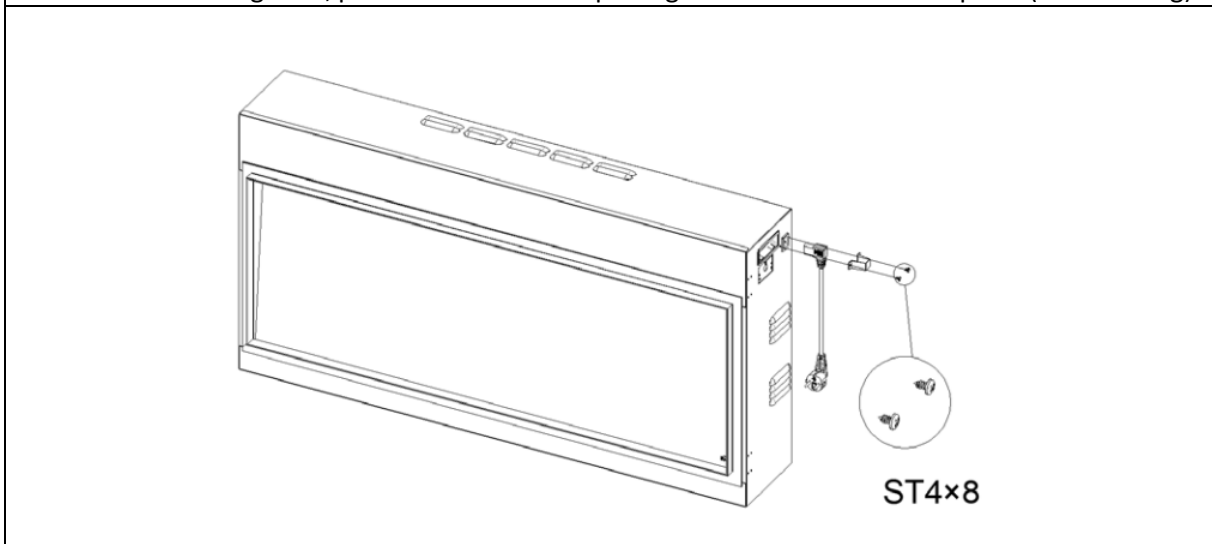
Zijkanten ..... 0 cm  
 Vloer ..... 0 cm  
 Bovenkant (Mantel of TV) ... 20 cm  
 Achterkant ..... 0 cm  
 Voorkant ..... 100 cm



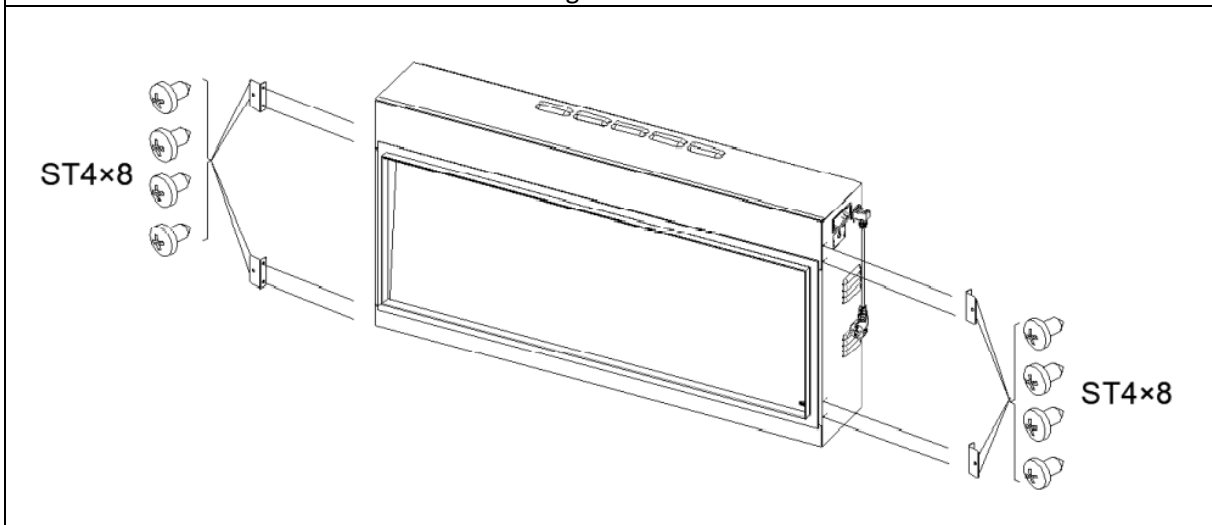
## 2.3 Montage



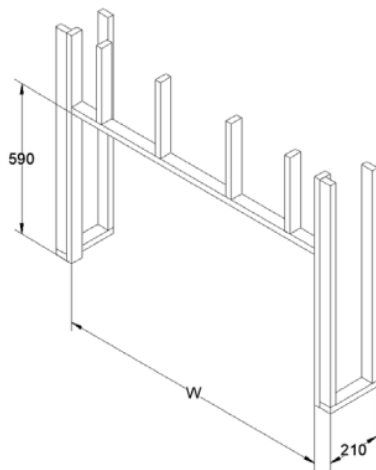
**STAP 1.** Verwijder de beschermkap van de stekker voor de sfeerverlichting. Trek de aansluitstekker voor sfeerverlichting eruit, plaats de beschermkap terug en sluit de sfeerlichtstrip aan (indien nodig).



**STAP 2.** Sluit het netsnoer aan met een U-beugel en 2 ST4\*8 schroeven.

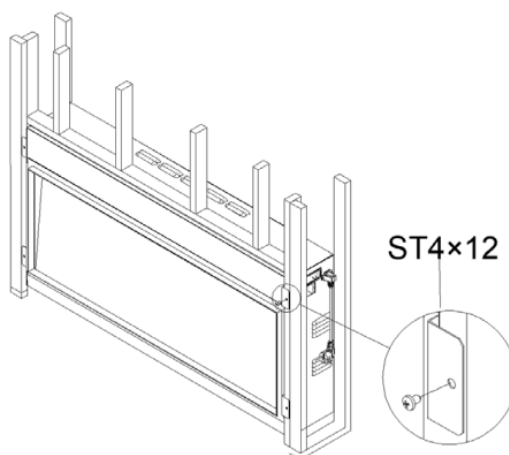


**STAP 3.** Bevestig 4 bevestigingsbeugels met 8 ST4x8 schroeven in de juiste positie (zoals hierboven getoond), let op de richting.



MODEL	EF313A	EF314A	EF315A
W	1442 mm	1642 mm	2042 mm

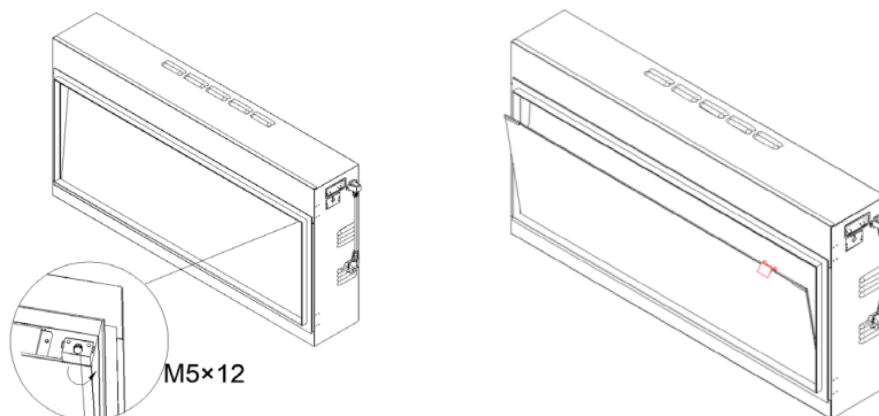
**STAP 4a.** Bouw een frame.



**STAP 4b.** Bevestig het apparaat aan het frame.

**STAP 4c.** Sluit aan en test de functies.

**STAP 4d.** Maak de muur af.



**STAP 4e.** Verwijder het glas. Leg de stenen en houtblokken onderin de haard. Plaats het glas terug.

## DEEL 3: BEDIENINGSVOORSCHRIFTEN

**WAARSCHUWING:** Gebruik het apparaat niet als het beschadigd of defect is. Als u vermoedt dat het apparaat beschadigd is of niet goed werkt, neem dan contact op met een gekwalificeerde onderhoudsmonteur om het apparaat te laten inspecteren en vervang indien nodig onderdelen van het elektrische systeem voordat u het apparaat weer gebruikt.

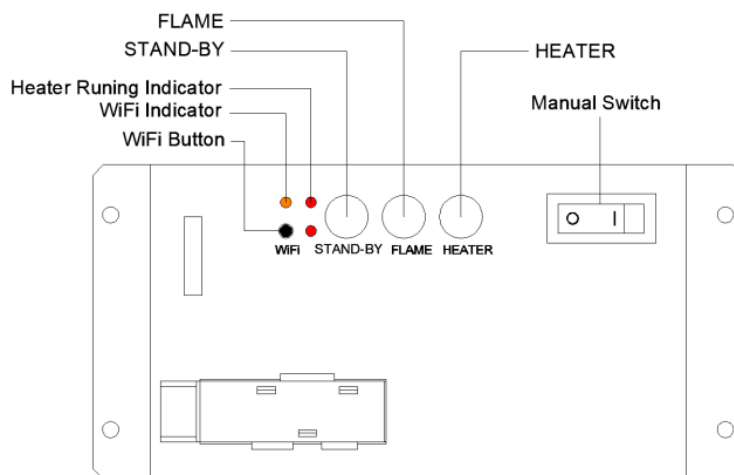
**CONTROLEER** of de stekker goed in het stopcontact past. Door slecht contact of een los zittende stekker kan het stopcontact oververhit raken.

U kunt dit apparaat kan op 3 verschillende manieren bedienen: handmatig, met de afstandsbediening of via de speciale iOS/Android-app. Lees voor bediening via de app de app-handleiding. Schakel, nadat u de unit correct heeft aangesloten op een geaard stopcontact, de hoofdschakelaar in. Deze bevindt zich op het bedieningspaneel in de rechterbovenhoek van de haard.

**LET OP!** De handmatige aan/uit-schakelaar moet op 'ON' staan voordat u de afstandsbediening, handmatige bediening of app kunt gebruiken. U hoort een lange pieptoon die aangeeft dat de haard klaar is voor gebruik. Om oververhitting tegen te gaan, is er een vertraging van 10 seconden wanneer de verwarming wordt in- en uitgeschakeld.

### 3.1 Gebruiksaanwijzing handmatige bediening

**Belangrijk!** De handmatige functietoets heeft niet dezelfde uitgebreide mogelijkheden als de afstandsbediening. Het doel is om de belangrijkste functies te kunnen bedienen in geval de afstandsbediening verloren is. Gebruik de afstandsbediening om alle functies in- en uit te schakelen.



#### AAN/UIT-SCHAKELAAR

Druk hierop om het apparaat in of uit te schakelen. "I" = aan, "O" = uit.

#### STAND-BYKNOP

Onderbreekt de warmtetoevoer naar het apparaat en onthoudt daarbij de laatst gebruikte instellingen. Zet het apparaat in de stand-bymodus met alle functies uitgeschakeld.

#### VLAM-KNOP

Druk hierop om door 3 vooraf ingestelde vlamkleuren en de uit-instelling te bladeren.

## VERWARMINGSKNOP

Druk hierop om door de instellingen voor laag vuur, hoog vuur en uit te bladeren.

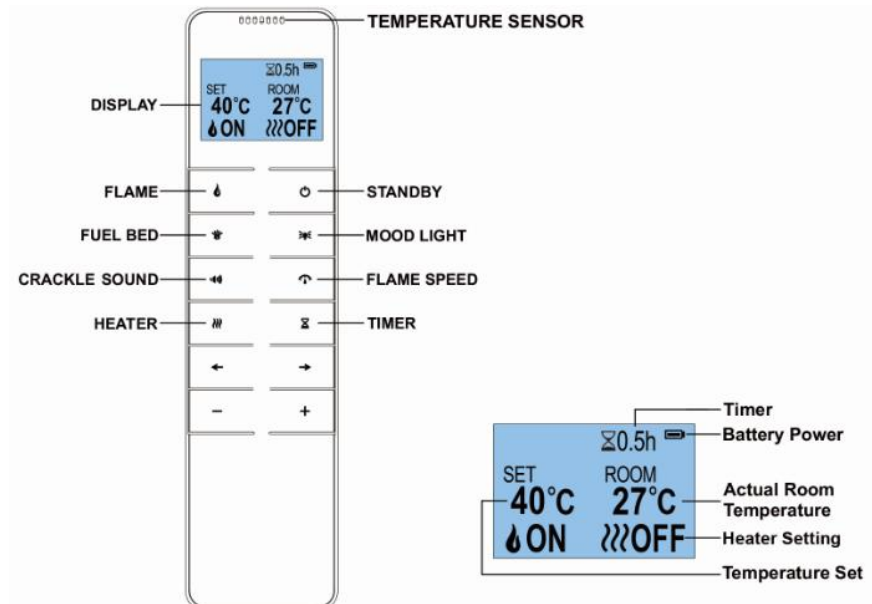
## WIFI-KNOP

Druk hierop om wifi in of uit te schakelen. Als de LED brandt, is wifi ingeschakeld. Houd de knop 3 seconden ingedrukt om naar de apparaatkoppelingsmodus te gaan.









### 3.2 Gebruiksaanwijzing afstandsbediening

- Zorg ervoor dat de batterijen juist gemonteerd zijn in de afstandsbediening.
- Het effectieve bereik van de afstandsbediening is tot 6 meter.
- Richt de afstandsbediening op de afstandsbedieningsontvanger welke zich in de rechterbovenhoek van de haard bevindt.

**Belangrijk!** Dit is een afstandsbediening met thermostaat. De afstandsbediening dient ten alle tijden in dezelfde ruimte te zijn als waar de haard zich bevindt en geplaatst te worden op een vlakke ondergrond. Daarnaast moet deze uit de buurt van de kachel worden geplaatst, zodat de hete lucht er niet op kan blazen en de thermostatische aflezing niet kan beïnvloeden.





SYMBOOL	TITEL	FUNCTIE
	Spanning AAN/UIT	Zet vlam, vlambed aan/uit. Als de verwarming in de AUTO-verwarmingsmodus staat, drukt u op deze knop om de automatische modus uit te schakelen.
	Vlam	Druk hierop om de vlam aan/uit te zetten. Druk op ←, → om een van de 3 vlamtypes of de uit-modus te selecteren. Druk op + of - om een van de helderheidsniveaus voor de vlam te selecteren.
	Vlambed	Druk hierop om het vlambed in/uit te schakelen. Druk op ←, → om een van de 8 instellingen voor het vlambed te selecteren. Druk op + of - om een van de helderheidsniveaus voor het vlambed te selecteren.
	Verwarming	Druk hierop om de verwarming in te schakelen. Totaal 4 verwarmingsmodi: LAAG-HOOG-UIT-AUTO. Druk op + of - om de temperatuur in te stellen tussen 5 en 40 °C.
	Timer	Druk hierop om de timer in te schakelen. Druk een keer om de tijd in te stellen op 0,5H, druk daarna nogmaals om door 1H, 2H, 3H, 4H, 5H, 6H, 7H, 8H, 9H, 10H of uit te bladeren. Als de verwarming in de AUTO-modus staat, stelt u de timer in om alle functies uit te schakelen, inclusief de AUTO-verwarmingsmodus.
	Sfeerverlichting	Druk hierop om door sfeerverlichting 1, 2, ... 13 te bladeren. Druk op + of - om een van de helderheidsniveaus voor de sfeerverlichting te selecteren.
	Geluidseffect	Druk hierop om door geluidsmodus 1, 2 en uit te bladeren. Druk op + of - om het volume te selecteren.
	Vlamsnelheid	Druk hierop voor de vlamsnelheid. Druk op + of - om de vlamsnelheid te selecteren.

**BELANGRIJK:** Druk 3 seconden op '←' of '→' om de temperatuureenheid te wisselen tussen °C en °F.

### **Belangrijke veiligheidsinformatie voor batterij**

- U heeft voor de afstandsbediening twee AAA-batterijen nodig.
- Druk met uw duim het batterijklepje aan de achterkant in en duw het omlaag. Verwijder vervolgens het klepje en verwijder of plaats de batterij. Zet vervolgens het batterijklepje terug op zijn plaats.
- Laad deze (niet-oplaadbare) AAA-batterijen niet op.
- Gebruik geen verschillende soorten batterijen of nieuwe en gebruikte batterijen door elkaar.
- Plaats de batterijen met de juiste polariteit.
- Neem lege batterijen uit het apparaat en voer ze veilig af.
- Verwijder de batterijen als u de afstandsbediening gedurende lange tijd niet gebruikt.
- Sluit de voedingsklemmen niet kort.

### **De thermische beveiliging resetten**

- Het apparaat is uitgerust met elektronische veiligheidsregeling (ESC). Dit is een veiligheidsvoorziening die het vuur uitschakelt als het toestel, om wat voor reden dan ook, oververhit raakt, bijvoorbeeld wanneer het afgedekt is. Als het vuur stopt met werken terwijl het vlammeffect normaal blijft werken, betekent dit dat de elektronische beveiliging heeft aangesproken. U kunt de elektronische beveiliging pas resetten nadat het apparaat is afgekoeld en het apparaat is gereset. U kunt de elektronische beveiliging als volgt resetten.
- Schakel het apparaat uit (handmatige schakelaar) en laat het ongeveer 10-15 minuten uit.
- Trek de stekker uit het stopcontact en verwijder vervolgens alles wat de uitlaat van de verwarming, ventilatorbladen, e.d. kan belemmeren.
- Schakel het apparaat in en de elektronische beveiliging wordt gereset.
- Controleer of het apparaat correct functioneert. Als de elektronische beveiliging opnieuw aanspreekt, laat het apparaat dan nakijken door een gekwalificeerde elektricien.

### **Instellen van frequentie tussen haard en afstandsbediening**

De onderstaande bewerkingen moeten worden uitgevoerd voor het programmeren, wanneer wordt overgeschakeld naar een nieuwe afstandsbediening of als het apparaat niet kan worden bediend door de afstandsbediening:

- Houd de POWER ON/OFF knop op het apparaat gedurende 3 seconden ingedrukt, tot u 2 korte pieptonen hoort van het apparaat.
- Druk vervolgens binnen 10 seconden op de POWER ON/OFF knop op de afstandsbediening, het programmeren is voltooid als u een lang geluidssignaal hoort van het apparaat.
- Zo niet, herhaal dan bovenstaande stappen.
- Het resetten van de code voor afstandsbediening is noodzakelijk als het apparaat verkeerd werkt of de afstandsbediening niet correct werkt.
  - Open de achterklep van de afstandsbediening.
  - Druk op de Reset-knop op de afstandsbediening (zie afbeelding rechts).

### **Openraamdetectie**

Als de sensor een snelle daling van de kamertemperatuur detecteert, ziet het apparaat dit als een open raam. Het waarschuwingspictogram 'OPn' verschijnt en de verwarming schakelt automatisch uit. De haard keert terug naar de normale bedrijfsmodus zodra u de waarschuwing handmatig heeft opgeheven (met het touch-bedieningspaneel of de afstandsbediening of de verwarmingsknop op de app).

## DEEL 4: ONDERHOUD



**Waarschuwing:** Voordat onderhoud aan en/of het schoonmaken van de buitenzijde van de elektrische haard, moet de stekker uit het stopcontact worden gehaald. De elektrische haard even laten afkoelen, wanneer deze direct daarvoor heeft aangestaan.

### 4.1 Batterij afstandsbediening vervangen

We raden aan de batterij na 1 jaar te vervangen. Vervang de batterijen met 2 AAA-batterijen. Plaats de batterijen in de correcte richting in de afstandsbediening. Lever oude batterijen in bij een geschikt recyclingbedrijf.

### 4.2 Motoren onderhouden

De motoren voor de ventilator en het vlammeffect zijn vooraf gesmeerd voor een langere levensduur en vergen geen verdere smering. We raden echter aan de ventilator/verwarmingsunit regelmatig te reinigen en te stofzuigen.

### 4.3 Reiniging van de elektrische haard

U kunt de buitenkant van de open haard met een zachte, vochtige, niet-pluizende doek. Gebruik geen schoonmaakmiddelen of gepolijste producten. Voor het verwijderen van vingerafdrukken of andere vlekken op de voorzijde van het glazen paneel, gebruik dan een zachte, vochtige, pluivrije doek met een goede kwaliteit huishoudelijke glasreiniger. De voorste ruit moet altijd volledig worden gedroogd met een schone, niet-pluizende doek of papieren handdoek.



**Let op:** Gebruik geen schuurmiddelen op het glazen paneel. Spuit geen vloeistoffen direct op elk oppervlak van het toestel.



**Waarschuwing:** een erkende monteur moet ander onderhoud uitvoeren.

### 4.4 Milieu



Gooi elektrische apparaten niet weg als ongesorteerd gemeentelijk afval, maar gebruik aparte inzamelingsvoorzieningen. Raadpleeg uw lokale overheid voor informatie over de collectie-systemen die beschikbaar zijn. Als elektrische apparaten worden weggegooid op stortplaatsen, kunnen gevaarlijke stoffen in het grondwater lekken en in de voedselketen terechtkomen, waardoor uw gezondheid en welzijn worden geschaad. Bij het vervangen van oude apparaten door nieuwe is de winkelier wettelijk verplicht om uw oude apparaat ten minste kosteloos terug te nemen voor verwijdering.

Neem contact op met WEEE Care Plc via 0844 8002004 als u dit apparaat aan het einde van zijn levensduur wilt laten recylen. Het relevante fabrikantnummer is WEE/MM3069AA.



Deze haard voldoet aan de veiligheidsnormen EN 60335-1 en EN 60335-2-30, die de essentiële vereisten voor elektrische apparatuur (veiligheidsvoorschriften) 2016 (S.I. 2016/1101) bevatten, evenals de EMC-normen EN55014-1; EN 55014-2; EN 61000-3-2 en EN 61000-3-3, die de essentiële vereisten bevatten inzake elektromagnetische compatibiliteitsverordening 2016 (S.I. 2016/1091).

GIMEG Nederland B.V. – Atoomweg 99 – 3542 AA – Utrecht – Nederland

## Cheminée électrique encastrable avec commande à distance

Veillez lire attentivement le manuel d'instructions avant d'installer ou d'utiliser la cheminée électrique, et veuillez le conserver pour référence future. Ce manuel fait partie intégrante du produit et doit être conservé. En cas de vente à un tiers, ce manuel doit être fourni avec le produit. Nous déclinons toute responsabilité et la garantie ne s'appliquera pas en cas d'utilisation inadéquate ou de non-respect des consignes de sécurité. Pour une assistance ou des informations complémentaires, veuillez contacter un technicien qualifié, l'assistance technique ou le point de vente.

### SECTION 1 : AVERTISSEMENTS ET CARACTÉRISTIQUES ÉLECTRIQUES

#### 1.1 Consignes de sécurité importantes



**Ce symbole vous signale les dangers potentiels qui peut tuer ou vous blesser et / ou d'autres.**

#### NE PAS FAIRE :


- Installer ou utiliser la chauffe endommagée.
- Modifier chauffe.
- Fonctionner le chauffe-eau sans montage entièrement tous les composants.

#### ATTENTION !



**Une installation, un réglage, une modification, un service ou d'entretien peuvent causer des blessures ou des dommages matériels.** Reportez-vous au manuel d'information du propriétaire fourni avec cet appareil. Pour de l'aide ou des renseignements supplémentaires, consultez un installateur qualifié, un service agence ou votre revendeur.

- Ne pas utiliser cet appareil dans les environs immédiats d'une baignoire, d'une douche ou d'une piscine.
- Ne plongez jamais le produit dans l'eau ou dans d'autres liquides.
- N'utilisez pas le foyer électrique à l'extérieur.
- N'utilisez pas le foyer électrique sur ou à proximité de surfaces chaudes.
- Cet appareil doit être relié à la terre. En cas de doute consulter une personne compétente appropriée.
- Afin d'éviter un risque dû à la remise à zéro accidentelle de la découpe thermique, cet appareil ne doit pas être alimenté par un dispositif de commutation externe, comme une minuterie, ou connectée à un circuit qui est régulièrement allumé et éteint par l'utilitaire.
- Cet appareil ne doit pas être situé immédiatement en dessous d'une prise de courant.

- Cet appareil peut être utilisé par des enfants âgés de 8 ans et plus et des personnes dont les capacités physiques, sensorielles ou mentales ou manquant d'expérience et de connaissances si elles ont été formées et encadrées pour l'utilisation de cet appareil en toute sécurité et de comprendre la risques encourus.
- Afin d'éviter un risque dû à la remise à zéro accidentelle de la découpe thermique, cet appareil ne doit pas être alimenté par un dispositif de commutation externe, comme une minuterie, ou connectée à un circuit qui est régulièrement allumé et éteint par l'utilitaire.
- Placez le foyer électrique à une distance d'au moins 1 mètre des meubles, rideaux et autres matériaux inflammables.
- Le foyer électrique est conçu pour un usage domestique et ne doit pas être utilisé à des fins industrielles.
- Ne laissez jamais le foyer électrique allumé lorsque vous êtes absent.
- Ne laissez jamais le foyer électrique branché sur le réseau électrique lorsque vous êtes absent.
- Les enfants ne doivent pas jouer avec l'appareil.
- L'appareil doit être branché à une prise électrique mise à la terre et facilement accessible pour pouvoir le débrancher.
- Nettoyage et entretien utilisateur ne sont pas fabriqués par des enfants sans surveillance.
- Les enfants de moins de 3 ans doivent être tenus à l'écart sans surveillance en continu.
- Les enfants âgés de 3 ans et moins de 8 ans doivent seulement allumer /éteindre l'appareil à condition qu'il ait été placé ou installé dans sa position normale de fonctionnement prévu et ils sont sans surveillance ou instruction concernant l'utilisation de l'appareil en toute sécurité et de comprendre les risques encourus. Les enfants âgés de 3 ans et moins de 8 ans ne sont pas brancher, de régler et nettoyer l'appareil ou d'effectuer la maintenance utilisateur.
- Certaines parties de ce produit peuvent devenir très chaude et causer des brûlures. Une attention particulière doit être donnée où les enfants et les personnes vulnérables sont présents.
- N'utilisez PAS l'appareil dans des pièces de petite taille en présence de personnes incapables d'en sortir par leurs propres moyens, sauf si une surveillance constante est assurée.
- Ne pas couvrir : Afin d'éviter une surchauffe, ne pas couvrir le radiateur.
- Le sens du chiffre dans le marquage est "ATTENTION : NE PAS COUVRIR". 
- N'utilisez pas le foyer électrique avec une prise ou un cordon électrique endommagé, après une panne, après une chute ou lorsqu'il a été endommagé d'une quelconque façon. Contrôlez régulièrement si le cordon électrique ne présente aucun endommagement.
- Si le cordon d'alimentation est endommagé, il doit être réparé par le fabricant, son centre de service autorisé ou une personne professionnelle.
- Ne nettoyez jamais le foyer électrique avec des détergents mordants.

- N'utilisez jamais d'accessoires qui ne soient recommandés par Livn. Il pourrait en résulter un danger pour l'utilisateur ou des dommages au foyer électrique.
- Veillez à ce que le cordon électrique ne passe jamais sur des bords tranchants ou n'entre jamais en contact avec des surfaces chaudes ni ne s'emmêle.
- Ne débranchez pas l'alimentation électrique du foyer lorsqu'il est en marche. Utilisez les fonctions de la télécommande pour arrêter le foyer électrique et assurez-vous que l'interrupteur principal est en position OFF (« o ») avant de débrancher la fiche de la prise électrique.
- Le foyer électrique ne peut être nettoyé que lorsqu'il est déconnecté du réseau électrique/de la prise de courant et lorsque le foyer électrique est entièrement refroidi.
- Ne faites pas passer le cordon électrique sous des tapis, carpettes, etc.
- Gardez la fiche d'alimentation accessible après l'installation.
- Ne branchez pas le foyer électrique sur un temporisateur ou un dispositif électrique qui s'allume et s'éteint régulièrement via un programme.
- N'utilisez PAS l'appareil s'il présente des signes visibles de dommage.
- N'utilisez PAS cet appareil s'il a chuté.

## 1.2 Spécifications

Model No.:	Essence (EF313A/EF314A/EF315A)
Tension:	AC 230-240V 50Hz
Watts au total:	2KW
Alimentation électrique pour effet de flamme et lit de combustible :	

MODEL	EF313A	EF314A	EF315A
POWER	33.1W	35.2W	46.6W

### Heat Output:

Nominal heat output (Pnom):	2KW
Minimum heat output(indicative) (Pmin):	1KW
Maximum continuous heat output (Pmax):	2KW

### Auxiliary Electricity Consumption:

At nominal heat output (elmax):	12.5W
At minimum heat output (elmin):	12.0W
In standby mode (eISB):	1.43W

### Type de puissance calorifique / régulation de température ambiante

Réglage unique de puissance calorifique sans régulation de température ambiante	Non
Deux réglages manuels ou plus, sans régulation de température ambiante	Non
Avec régulation de température ambiante par thermostat mécanique	Non
Avec régulation de température ambiante électronique	Oui
Régulation de température ambiante électronique avec programmeur journalier	Oui
Régulation de température ambiante électronique avec programmeur hebdomadaire	Oui

### Autres options de commande

Commande de température ambiante, avec détection de présence	Non
Commande de température ambiante, avec détection de fenêtre ouverte	Oui
Avec commande à distance	Oui
Avec commande de démarrage adaptative	Oui
Avec limitation de la durée de fonctionnement	Non
Avec capteur crépusculaire	Non

Circuit imprimé de commande	Récepteur de télécommande	Module WiFi	Transmetteur de télécommande
Matériel : RC01-059B V0 Logiciel : RC01-059B01 V0	Fréquence : FSK 433.92MHz Puissance d'émission maximale : 10mW Matériel : RC05-014A V0	Fréquence : 2,4 GHz Puissance d'émission maximale : 100 mW Matériel : WR3 V1.0	Fréquence : FSK 433.92MHz Puissance d'émission maximale : 10mW Matériel : RF290H V1.1 Logiciel : RCS19-V01.06

## SECTION 2 : INSTALLATION

### Outils nécessaires

Magnétique Phillips tournevis

### Contenu de la boîte

Le foyer électrique, vis et supports décoratifs, commande à distance et mode d'emploi.

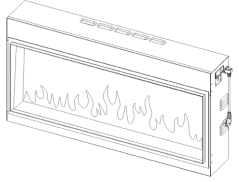



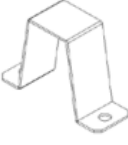

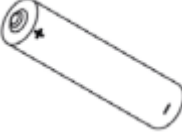

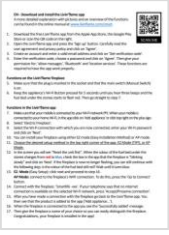



#### 2.1 Déballage du Foyer



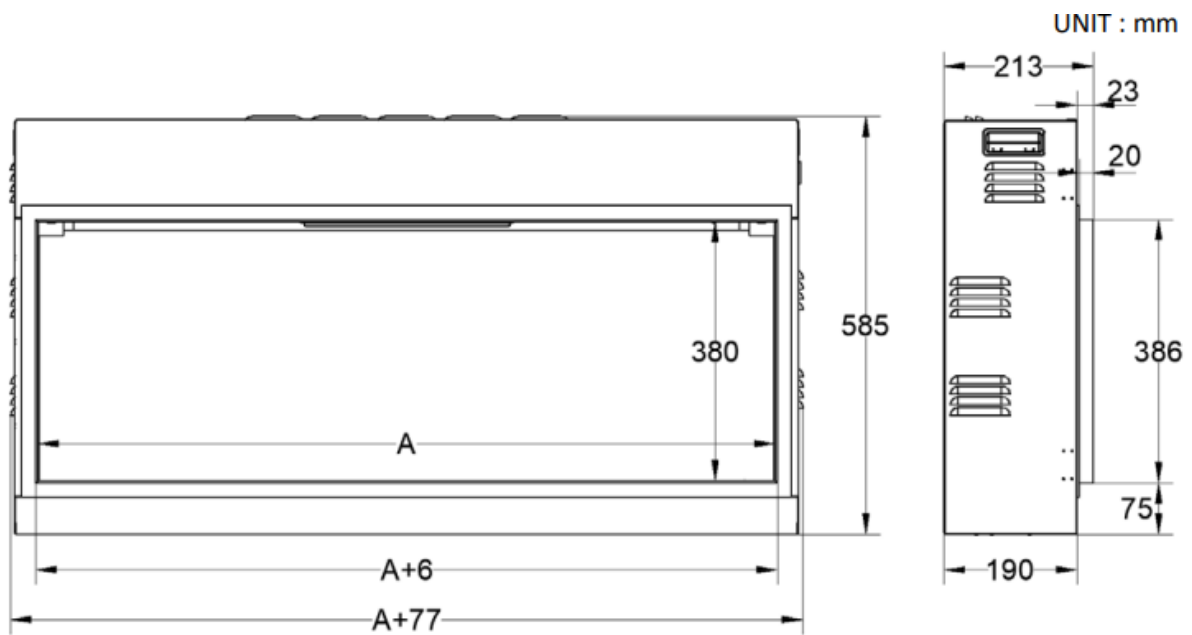
**ATTENTION !** Ne pas utiliser cet appareil si une partie quelconque a été submergée appelez immédiatement un technicien de service qualifié pour inspecter et pour remplacer toute pièce de l'électrique système si nécessaire.

- Gardez en plastique enveloppant la portée des enfants.
- Ouvrez l'emballage avec précaution et retirez la mousse ; assurez-vous que l'appareil est intact, qu'il ne présente pas de signes de dommage causé par le transport et qu'aucune partie n'a été exposée à l'eau. En cas de doute, n'utilisez pas l'appareil et contactez un centre de maintenance agréé.
- Retirez et jetez le sac en plastique.
- Être responsable lors de la manipulation des matériaux d'emballage.
- Conservez l'emballage d'origine, car vous pourriez en avoir besoin si vous avez une réclamation au sujet du produit ou à des fins de transport et/ou entreposage futur.
- Assurez-vous que tous les éléments ont été retirés de l'emballage.
- Ne mettez pas le foyer électrique en service lorsque 1 ou plusieurs éléments sont mouillés. Faites contrôler immédiatement les pièces par un monteur agréé et faites-les éventuellement remplacer.
- Maintenir les enfants à l'écart avant et pendant le montage. Ne pas laisser les petits enfants toucher aux pièces détachées.
- Votre nouveau foyer électrique peut être installé pratiquement partout dans la maison. Toutefois, lorsque vous choisissez un emplacement, les instructions générales suivantes doivent être attentivement lues et respectées. Pour le meilleur résultat, veuillez ne pas installer le foyer électrique exposé directement à la lumière du soleil.
- L'appareil doit être connecté sur une prise électrique mise à la terre, qui doit être facilement accessible pour pouvoir débrancher l'appareil.



 <p>Foyer (1)</p>	 <p>Support de fixation (4)</p>	 <p>Vis ST4*12 (4)</p>	 <p>Vis ST4*8 (10)</p>
 <p>Support (1)</p>	 <p>Télécommande (1)</p>	 <p>Pile AAA (2)</p>	 <p>Manuel (1)</p>
 <p>Manuel de l'application (1)</p>	 <p>Cordon électrique (1)</p>	 <p>Bûches (1)</p>	 <p>Divers types de pierres (1)</p>

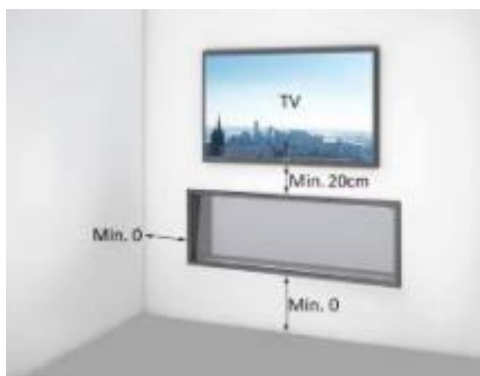
## 2.2. Dimensions



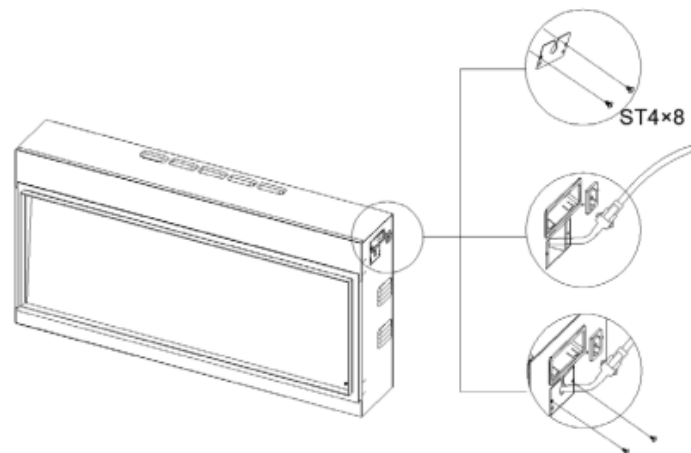
MODEL	EF313A	EF314A	EF315A
A	1355 mm	1555 mm	1955 mm

### Distance minimale par rapport aux combustibles

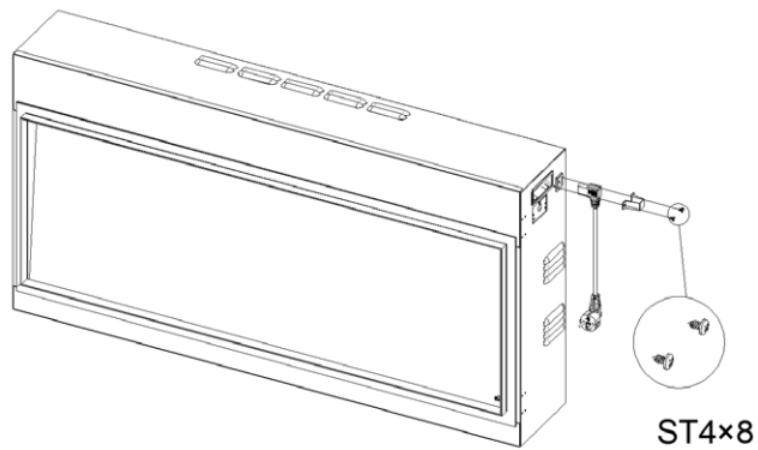
Côtés ..... 0 cm  
 Sol..... 0 cm  
 Sommet (Cheminée ou télévision) ... 20 cm  
 Arrière ..... 0 cm  
 Avant ..... 100 cm



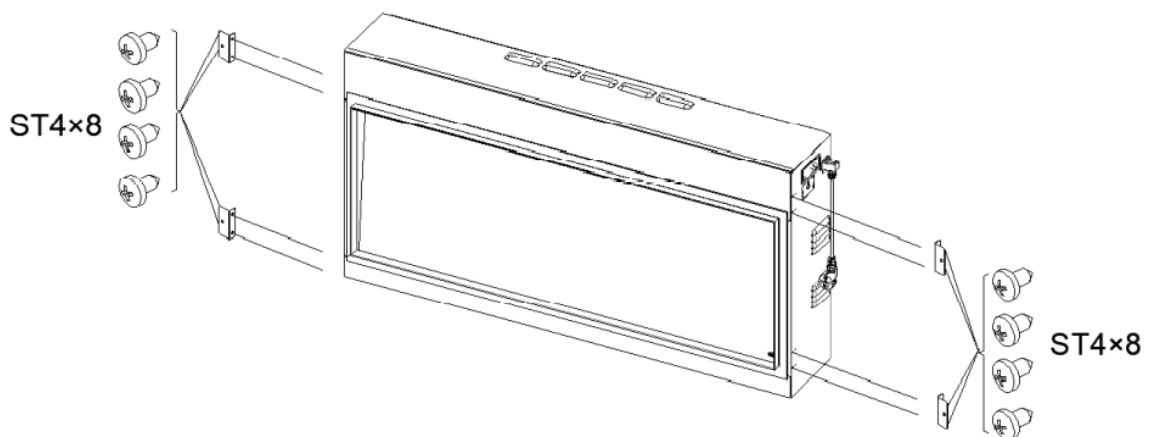
### 2.3. Instructions



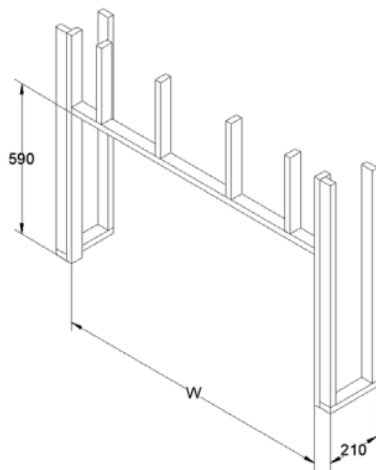
**ÉTAPE 1.** Retirez le cache de protection de la fiche pour l'éclairage d'ambiance. Connectez la bande l'éclairage d'ambiance (si nécessaire). Remettez le cache de protection.



**ÉTAPE 2.** Connectez le cordon d'alimentation par un support et 2 vis ST4\*8.

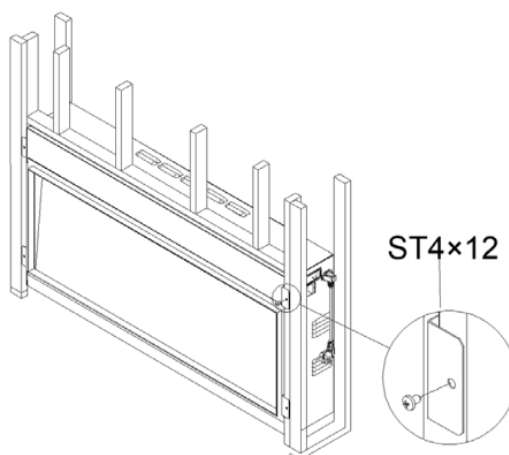


**ÉTAPE 3.** Fixez 4 supports de fixation par 8 vis ST4x8 dans la bonne position (comme illustré ci-dessus), en faisant attention au sens.



MODEL	EF313A	EF314A	EF315A
W	1442 mm	1642 mm	2042 mm

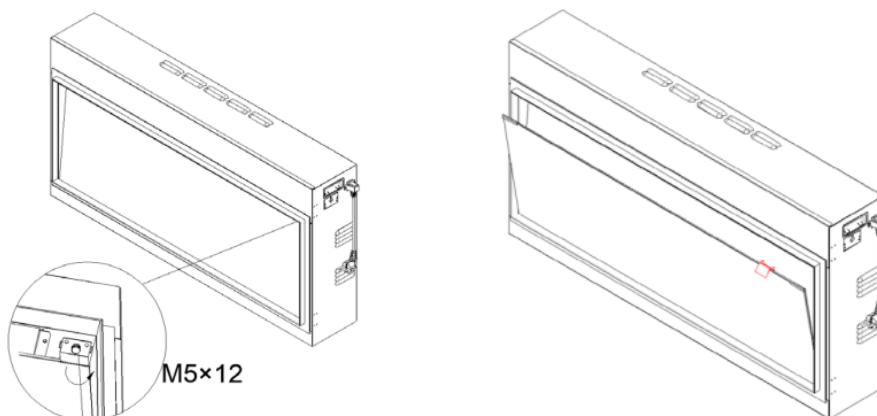
**ÉTAPE 4a.** Construire un cadre.



**ÉTAPE 4b.** Fixer le foyer sur le cadre.

**ÉTAPE 4c.** Testez les fonctions.

**ÉTAPE 4d.** Fini le mur.



**ÉTAPE 4e.** Retirer le verre avec précaution. Étaler soigneusement les pierres et les bûches sur le lit de carburant. Réinstallez le verre.

## SECTION 3 : MODE D'EMPLOI

ATTENTION : n'utilisez pas l'appareil s'il est endommagé ou s'il a subi une défaillance. Si vous soupçonnez l'appareil d'être endommagé ou d'avoir subi une défaillance, appelez un technicien de maintenance pour inspecter l'appareil, et remplacez toute pièce du système électrique le cas échéant, avant de réutiliser l'appareil.

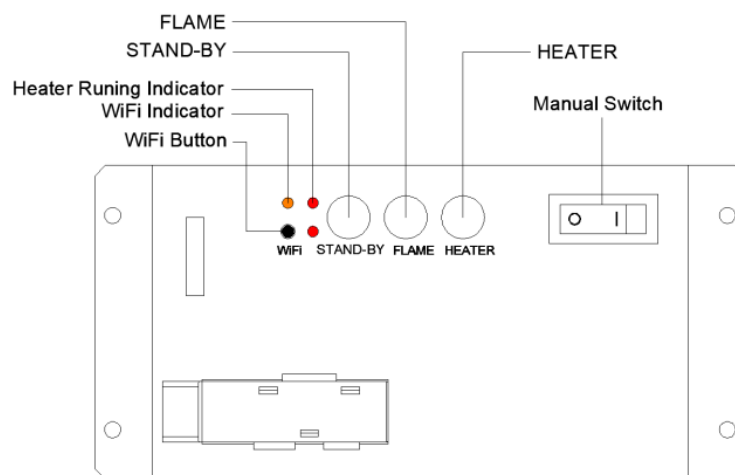
ASSUREZ-VOUS que la fiche s'adapte parfaitement dans la prise. Des connexions de prise murale défectueuses ou des fiches mal insérées peuvent provoquer une surchauffe de la prise de courant.

Cet appareil peut être utilisé de 3 manières différentes : manuellement, par l'intermédiaire de la télécommande ou par l'intermédiaire de l'application iOS / Android dédiée. Pour la commande par application, veuillez lire le manuel de l'application. Une fois que l'unité a été connectée de manière appropriée à une prise électrique mise à la terre, placez en position de marche le commutateur principal situé sur le panneau de commande dans le coin supérieur droit du foyer.

**REMARQUE !** Pour utiliser les fonctions de télécommande, manuelles et d'application, le commutateur de marche/arrêt manuel doit se trouver en position de « marche ». Un long signal sonore retentit pour indiquer que la cheminée est prête à être utilisée. Afin de protéger le produit ne devienne trop chaud, il y a un retard de 10 secondes lorsque vous allumez le chauffage, il y a également un retard de 10 secondes lors de l'arrêt du ventilateur de chauffage.

### 3.1 Mode d'emploi de la commande manuelle

**REMARQUE !** Le bouton manuel sur l'unité de la boîte à feu vous donne pas tous les contrôles de fonction, et son propos est de contrôler certaines fonctions de base lorsque vous perdez la télécommande. S'il vous plaît utiliser la main à distance fixé pour mener à bien toutes les fonctions.



#### BOUTON DE MARCHÉ/ARRÊT

Appuyez pour allumer ou éteindre l'appareil. "I" = allumer, "O" = éteindre.

#### BOUTON DE VEILLE

Permet de couper le chauffage de l'appareil tout en mémorisant les derniers réglages utilisés. Permet de placer l'appareil en mode veille avec toutes les fonctions désactivées.

## BOUTON FLAMME

Appuyez pour faire défiler les 3 couleurs de flammes prédéfinies et le réglage d'arrêt.

## BOUTON DE CHAUFFAGE

Appuyez pour faire défiler les réglages de faible chaleur, forte chaleur et arrêt.

## BOUTON WIFI

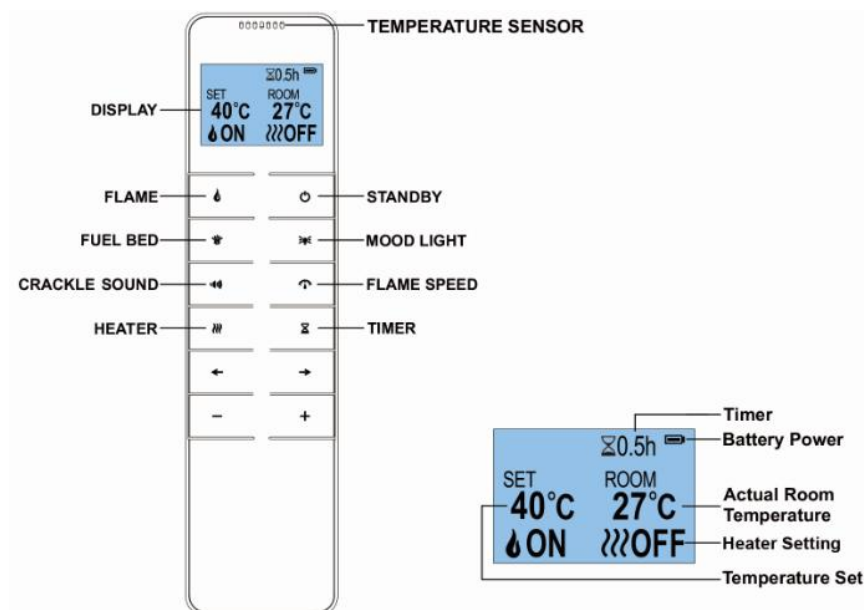
Appuyez pour activer ou désactiver le WiFi. Une LED allumée indique que le WiFi est activé.









Maintenez le bouton enfoncé pendant 3 secondes pour accéder au mode couplage de l'appareil.

### 3.2 Mode d'emploi de la télécommande

- Veillez à ce que les piles soient montées correctement dans la télécommande.
- La portée effective de la télécommande s'étend jusqu'à 6 mètres.
- Pointez la télécommande sur le récepteur de télécommande situé dans le coin supérieur droit du foyer.

**Important !** Il s'agit d'une télécommande avec thermostat. La télécommande doit se trouver à tout moment dans la pièce où se situe le poêle et elle doit être placée sur une surface plane. La fréquence de communication entre la télécommande et le poêle est pré-réglée automatiquement.



ICÔNE	TITRE	FONCTION
	Marche/arrêt	Allumage/extinction de flamme, lit de combustible. Si le chauffage est en mode Chauffage AUTO, appuyez pour désactiver le mode automatique.
	Flamme	Appuyez pour allumer/éteindre la flamme. Appuyez sur ←, → pour sélectionner 3 flammes et arrêt. Appuyez sur +, - pour sélectionner luminosités de flamme.
	Lit de combustible	Appuyez pour allumer/éteindre le lit de combustible. Appuyez sur ←, → pour sélectionner 8 réglages pour le lit de combustible. Appuyez sur +, - pour sélectionner luminosités de lit de combustible
	Chauffage	Appuyez pour allumer le chauffage. 4 modes de chauffage au total : FAIBLE-FORT-ARRÊT-AUTO. Appuyez sur +, - pour régler la température entre 5 et 40 °C.
	Programmeur	Appuyez pour activer le programmeur. Appuyez une première fois pour régler le délai sur 0,5H ; appuyez de nouveau pour faire défiler 1H, 2H, 3H, 4H, 5H, 6H, 7H, 8H, 9H, 10H, arrêt. Lorsque le chauffage est en mode AUTO, configurez le programmeur pour désactiver toutes les fonctions, y compris le mode Chauffage AUTO.
	Éclairage d'ambiance	Appuyez pour faire défiler l'éclairage d'ambiance 1, 2, ... 13. Appuyez sur +, - pour sélectionner luminosités de l'éclairage d'ambiance.
	Effet sonore	Appuyez pour faire défiler les modes de son 1, 2 et arrêt. Appuyez sur +, - pour régler le volume.
	Vitesse de la flamme	Appuyez pour la vitesse de la flamme. Appuyez sur +, - pour régler la vitesse de la flamme.

**IMPORTANT:** Appuyez sur '←' ou '→' pendant 3 secondes pour basculer l'unité de température entre °C et °F.

#### Informations de sécurité importantes pour les piles

- Deux piles AAA sont requises pour la télécommande.
- Utilisez votre pouce pour appuyer sur et pousser vers le bas le couvercle des piles au dos de la télécommande, puis retirez le couvercle et retirez ou insérez les piles. Remplacez ensuite le couvercle des piles.
- Ces piles AAA (non rechargeables) ne doivent pas être rechargées.
- Différents types de piles ou des piles neuves et usagées ne doivent pas être mélangés.
- Les piles doivent être insérées en respectant la polarité appropriée.
- Des piles usées doivent être retirées de l'appareil et mises au rebut de manière sûre.
- Les piles doivent être retirées si la télécommande va être rangée sans être utilisée pendant une période prolongée.
- Les bornes d'alimentation ne doivent pas être court-circuitées.

### **Réinitialisation du disjoncteur thermique**

- L'appareil est équipé d'un contrôle de sécurité électronique. Il s'agit d'un dispositif qui coupe la cheminée si l'appareil surchauffe, pour quelque raison que ce soit, lorsqu'il est couvert par exemple. Si la cheminée s'arrête de fonctionner alors que l'effet de flammes continue à fonctionner normalement, ceci indique que le contrôle de sécurité électronique a été activé. Le contrôle de sécurité électronique peut être réinitialisé uniquement lorsque l'appareil a refroidi et qu'il a été réinitialisé. Le contrôle de sécurité électronique peut être réinitialisé comme suit :
- Éteignez l'appareil (commutateur manuel) et laissez-le éteint pendant environ 10 à 15 minutes.
- Retirez tout ce qui peut obstruer la sortie du générateur d'air chaud, les lames de ventilateur, etc. Avant d'effectuer ceci, assurez-vous que l'alimentation électrique est débranchée au niveau de la prise de courant.
- Allumez l'appareil et le contrôle de sécurité électronique sera réinitialisé.
- Assurez-vous que l'appareil fonctionne correctement. Si le contrôle de sécurité électronique est de nouveau activé, l'appareil doit être examiné par un électricien qualifié.

### **Réglage de la fréquence entre le poêle et la télécommande**

Les opérations ci-dessous doivent être exécutées pour la programmation, lorsque vous passez à une nouvelle télécommande ou lorsque l'appareil ne peut pas être commandé par la télécommande :

- Maintenez le bouton POWER ON/OFF (réinitialisation) sur l'appareil enfoncé pendant 3 secondes jusqu'à ce que l'appareil émette 2 signaux sonores brefs. À ce moment, relâchez le bouton.
- Ensuite, dans les 10 secondes qui suivent, appuyez sur le bouton POWER ON/OFF de la télécommande, la programmation est achevée lorsque l'appareil émet un signal sonore long.
- Si ce n'est pas le cas, répétez les étapes ci-dessus.
- La réinitialisation du code pour la télécommande est nécessaire si l'appareil ou la télécommande fonctionne de manière incorrecte.
  - Ouvrez le couvercle à l'arrière de la télécommande.
  - Appuyez sur le bouton Reset sur la télécommande.

### **Détection de vitre ouverte**

Si le capteur détecte une chute rapide de la température ambiante, ceci sera identifié comme une vitre ouverte, l'icône d'avertissement « OPn » s'affichera et le chauffage s'éteindra automatiquement. La cheminée reviendra en mode opératoire normal une fois que l'avertissement aura été ignoré manuellement (par l'intermédiaire du panneau de commande tactile, de la télécommande ou du bouton de chauffages sur l'application).



## SECTION 4 : ENTRETIEN



**Avertissement** : Avant l'entretien et/ou le nettoyage de l'extérieur du poêle électrique, la fiche doit être retirée de la prise de courant. Laissez d'abord refroidir le poêle.

### 4.1 Remplacement des piles de la télécommande

Le remplacement des piles est recommandé au bout d'1 an. Remplacez par 2 piles AAA. Assurez-vous que les piles sont installées correctement dans la télécommande. Mettez au rebut les piles usagées auprès d'un lieu de collecte approprié pour le recyclage.

### 4.2 Maintenance des moteurs

Les moteurs utilisés pour le ventilateur et l'effet de flamme sont pré lubrifiés pour une durée de vie prolongée et ils ne nécessitent aucune autre lubrification. Cependant, un nettoyage périodique (chiffon/aspirateur) du ventilateur/chauffage est recommandé.

### 4.3 Nettoyage du poêle électrique

Vous pouvez nettoyer l'extérieur du poêle avec un chiffon doux, humide, non pelucheux. N'utilisez pas de détergent ni de produits à polir. Pour éliminer les traces de doigts ou autres taches sur le panneau avant en verre, utilisez un chiffon doux, humide, exempt de peluches, avec un nettoyant pour vitres domestique de bonne qualité. La vitre avant doit toujours être complètement séchée avec un chiffon propre non pelucheux ou une serviette en papier.



**Attention** : N'utilisez pas de produits abrasifs sur le panneau en verre. Ne pulvérisez pas de liquides directement sur la surface de l'appareil.



**Avertissement** : toute autre tâche de maintenance doit être exécutée par un mécanicien agréé.

### 4.4 Environnement



■ Jetez les appareils électriques en tant que déchets non triés, utilisez des équipements de collecte séparée. Consultez votre administration locale pour des informations sur les systèmes de collecte disponibles. Si des appareils électriques sont jetés dans des décharges, des substances dangereuses peuvent s'échapper dans la nappe phréatique et se retrouver dans la chaîne alimentaire, provoquant des dégâts au niveau de votre santé et de votre bien-être. Lors du remplacement d'anciens appareils par des appareils neufs, le commerçant est tenu légalement de reprendre votre ancien appareil à des fins de désinvestissement, au minimum à titre gratuit.

Veillez contacter WEEE Care Plc au 0844 8002004, pour que cet appareil soit recyclé à la fin de sa durée de vie utile. Le numéro de producteur de référence est le WEE/MM3069AA.



Cette cheminée est conforme aux normes de sécurité EN 60335-1 et EN 60335-2-30, qui couvrent les exigences essentielles pour les Réglementations (de sécurité) relatives aux équipements électriques 2016 (S.I. 2016/1101), ainsi qu'aux normes CEM EN55014-1, EN 55014-2, EN 61000-3-2 et EN 61000-3-3, qui couvrent les exigences essentielles sous la Réglementation relative à la compatibilité électromagnétique 2016 (S.I. 2016/1091).

## Elektrischer Einbau Kamin mit Fernbedienung

### **Wichtig:**

Lesen Sie das Benutzerhandbuch bitte sorgfältig durch, bevor Sie den elektrischen Kamin installieren oder verwenden, und bewahren Sie es als Nachschlagewerk für die Zukunft auf. Dieses Handbuch gilt als Bestandteil des Geräts und muss auch mit diesem zusammen aufbewahrt werden. Wenn das Gerät an einen Dritten verkauft wird, muss dieses Handbuch gemeinsam mit dem Produkt übergeben werden. Bei unsachgemäßem Umgang mit dem Gerät oder der Nichtbeachtung der Sicherheitshinweise wird jegliche Haftung ausgeschlossen und die Garantie verfällt. Wenn Sie Hilfe oder weitere Informationen benötigen, wenden Sie sich bitte an einen qualifizierten Techniker, den Helpdesk oder Ihren Händler.

## **ABSCHNITT 1: WARNUNGEN UND ELEKTRISCHE SPEZIFIKATIONEN**

### **1.1 Wichtige Sicherheitshinweise**



**Dieses Symbol warnt Sie vor möglichen Gefahren das kann töten oder verletzen und / oder anderen.**

#### **NICHT:**

- Installieren oder betreiben beschädigte Heizung
- Änderung Heizung
- Betreiben Sie das Heizgerät ohne voll Montage aller Komponenten

#### **WARNUNG!**



Bei der Verwendung von elektrischen Heizungen, sollten stets grundlegende Vorsichtsmaßnahmen getroffen, um das Risiko von Feuer, Stromschlag und Verletzungen von Personen, einschließlich der folgenden Reduzieren:


#### **WARNUNG!**



Unsachgemäße Installation, Einstellung, Veränderung oder Wartung kann zu Verletzungen oder Sachschäden führen. Siehe an den Eigentümer der Informationen manuell mit dieser Heizung vorgesehen. Für Hilfe oder weitere Informationen konsultieren Sie einen qualifizierten Installateur, Service Agentur oder Ihren Händler.

- Verwenden Sie nicht diese Heizung in der unmittelbaren Umgebung einer Badewanne, einer Dusche oder eines Schwimmbeckens.
- Tauchen Sie das Gerät nie in Wasser oder anderen Flüssigkeiten unter.
- Der Elektrokamin darf erst dann eingeschaltet werden, wenn er wie in der Anleitung beschrieben richtig installiert ist.
- Der Elektrokamin darf nie mit nassen Händen verwendet werden.
- Der Elektrokamin darf nicht im Freien verwendet werden.

- Die Heizung muss geerdet werden. Im Zweifelsfall konsultieren Sie einen geeigneten zuständigen Person.
- Um eine Gefährdung durch unbeabsichtigtes Rücksetzen des Temperaturbegrenzers zu vermeiden, kann dieses Gerät nicht über eine externe Schaltvorrichtung, wie zum Beispiel einen Zeitgeber geliefert werden, oder mit der Steuerschaltung, die regelmäßig ein- und ausgeschaltet durch Gebrauchsmuster.
- Das Heizgerät darf nicht unmittelbar unter einer Steckdose befinden.
- Das Gerät kann von Kindern ab 8 Jahren und darüber und Personen mit eingeschränkten physischen, sensorischen oder geistigen Fähigkeiten oder mangels Erfahrung und Wissen, wenn sie wurden Aufsicht oder ausführliche Anleitung zur Benutzung des Geräts in einer sicheren Weise gegeben Jahren verwendet werden und zu verstehen, die damit verbundenen Gefahren.
- Kinder dürfen nicht mit dem Gerät spielen.
- Zwischen dem Elektrokamin und Möbeln, Gardinen und anderem brennbarem Material muss ein Abstand von mindestens 1 m eingehalten werden.
- Lassen Sie den Elektrokamin nie unbeaufsichtigt brennen.
- Lassen Sie den Elektrokamin nie unbeaufsichtigt an das Stromnetz angeschlossen zurück.
- Der Elektrokamin ist für den häuslichen Gebrauch bestimmt und darf nicht zu industriellen Zwecken verwendet werden.
- Bevor der Elektrokamin gereinigt werden darf, muss er erst vom Stromnetz bzw. von der Steckdose getrennt werden. Außerdem muss er erst völlig ausgekühlt sein.
- Reinigen Sie den Elektrokamin nie mit aggressiven Reinigungsmitteln.
- Verwenden Sie kein Zubehör, das nicht von Livn empfohlen wird. Dies kann für den Benutzer des Elektrokamins gefährlich sein oder Schäden am Kamin verursachen.
- Der Elektrokamin darf nicht auf oder in der Nähe von heißen Oberflächen verwendet werden.
- Reinigung und Wartung durch den Benutzer ist nicht von Kindern ohne Aufsicht erfolgen.
- Kinder von weniger als 3 Jahren sollten ferngehalten werden, es sei denn kontinuierlich überwacht.
- Kinder ab 3 Jahren und weniger als 8 Jahren dürfen nur Ein-/ Ausschalten des Gerätes, sofern sie gesetzt worden ist oder installiert in seinen beabsichtigten normalen Position und eine angemessene Aufsicht oder ausführliche Anleitung zur Benutzung des Geräts in einer sicheren Weise gegeben und verstehen die damit verbundenen Gefahren. Kinder ab 3 Jahren und weniger als 8 Jahren dürfen nicht in stecken, zu regulieren und das Gerät reinigen oder Wartung durch den Benutzer führen.
- Einige Teile dieses Produkts können sehr heiß werden und Verbrennungen verursachen. Besondere Aufmerksamkeit ist gegeben, wo Kinder und gefährdete Personen vorhanden sind.
- Verwenden Sie dieses Gerät NICHT in kleinen Räumen, in denen sich Menschen befinden, die den Raum nicht selbstständig verlassen können, es sei denn, diese werden ständig beaufsichtigt.

- Nicht abdecken: Um eine Überhitzung zu vermeiden, decken nicht die Heizung.
- Die Bedeutung der Zahl in Kennzeichnung "ACHTUNG: NICHT ABDECKEN". 
- Bei beschädigtem Stecker oder Netzkabel, nach einer Störung, nach einem Fall oder bei irgendwelchen Schäden am Gerät darf der Elektrokamin nicht verwendet werden. Überprüfen Sie das Kabel regelmäßig auf Beschädigungen.
- Wenn das Netzkabel beschädigt ist, muss es durch den Hersteller, seinen autorisierten Service-Center oder professionelle Person repariert werden.
- Trennen Sie den Kamin nicht vom Strom, wenn er in Betrieb ist. Verwenden Sie die Funktionen der Fernbedienung, um den Kamin auszuschalten und vergewissern Sie sich, dass sich der Hauptschalter in der Position OFF („o“) befindet, bevor Sie den Stecker aus der Steckdose ziehen.
- Lassen Sie das Netzkabel nicht verdreht unter Teppichen, Teppichböden usw. hindurch laufen.
- Das Netzkabel darf nie über scharfe Kanten laufen, mit heißen Oberflächen in Kontakt kommen oder verknotet sein.
- Verwenden Sie dieses Gerät NICHT, wenn es sichtbare Anzeichen für eine Beschädigung gibt.
- Verwenden Sie dieses Gerät NICHT, wenn es fallengelassen wurde.

## 1.2 Spezifikationen

Model No.:	Essence (EF313A/EF314A/EF315A)
Spannung:	AC 230-240V 50Hz
Maximaler Energieverbrauch:	2KW
Benötigte Leistung für Flammen- und Brennerbett-Effekt:	

MODEL	EF313A	EF314A	EF315A
POWER	33.1W	35.2W	46.6W

### Wärmeabgabe:

Nominale Wärmeabgabe (Pnom):	2KW
Minimale Wärmeabgabe (indicative) (Pmin):	1KW
Maximale kontinuierliche Wärmeabgabe (Pmax):	2KW

### Stromverbrauch:

Bei nominaler Wärmeleistung (elmax):	12.5W
Bei minimaler Wärmeleistung (elmin):	12.0W
Standby-Modus (elSB):	1.43W

### Art der Wärmeabgabe/Raumtemperatursteuerung

Eine Heizleistungseinstellung und keine Raumtemperatursteuerung	Nein
Zwei oder mehr manuelle Einstellungen, keine Raumtemperatursteuerung	Nein
Mechanische Raumtemperatursteuerung mit Thermostat	Nein
Elektronische Raumtemperatursteuerung	Ja
Elektronische Raumtemperatursteuerung plus Tages-Timer	Ja
Elektronische Raumtemperatursteuerung plus Wochen-Timer	Ja

### Andere Steuerungsoptionen

Raumtemperatursteuerung mit Anwesenheitserkennung	Nein
Raumtemperatursteuerung mit Erkennung offener Fenster	Ja
Mit optionaler Fernbedienung	Ja
Mit adaptiver Startsteuerung	Ja
Mit Begrenzung der Betriebsdauer	Nein
Mit Schwarz-Kugel-Sensor	Nein

Steuerungs-PCB	Fernbedienung Empfänger	WiFi-Modul	Fernbedienung Sender
Hardware: RC01-059B V0 Software: RC01-059B01 V0	Frequenz: FSK 433.92MHz Maximale Übertragungsleistung: 10 mW Hardware: RC05-014A V0	Frequenz: 2,4 GHz Maximale Übertragungsleistung: 100 mW Hardware: WR3 V1.0	Frequenz: FSK 433.92MHz Maximale Übertragungsleistung: 10 mW Hardware: RF290H V1.1 Software: RCS19-V01.06

## ABSCHNITT 2: INSTALLATION

### Notwendige Werkzeuge

Magnetschraubendreher

### Inhalt des Pakets

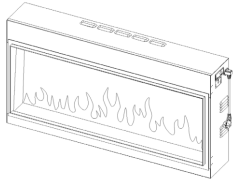



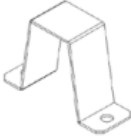
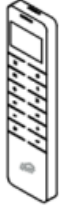
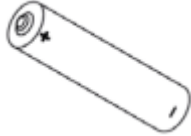





Montagematerial, Fernbedienung, Batterien, Bedienungsanleitung, elektrischer Kamin.

### 2.1 Auspacken des Kamins

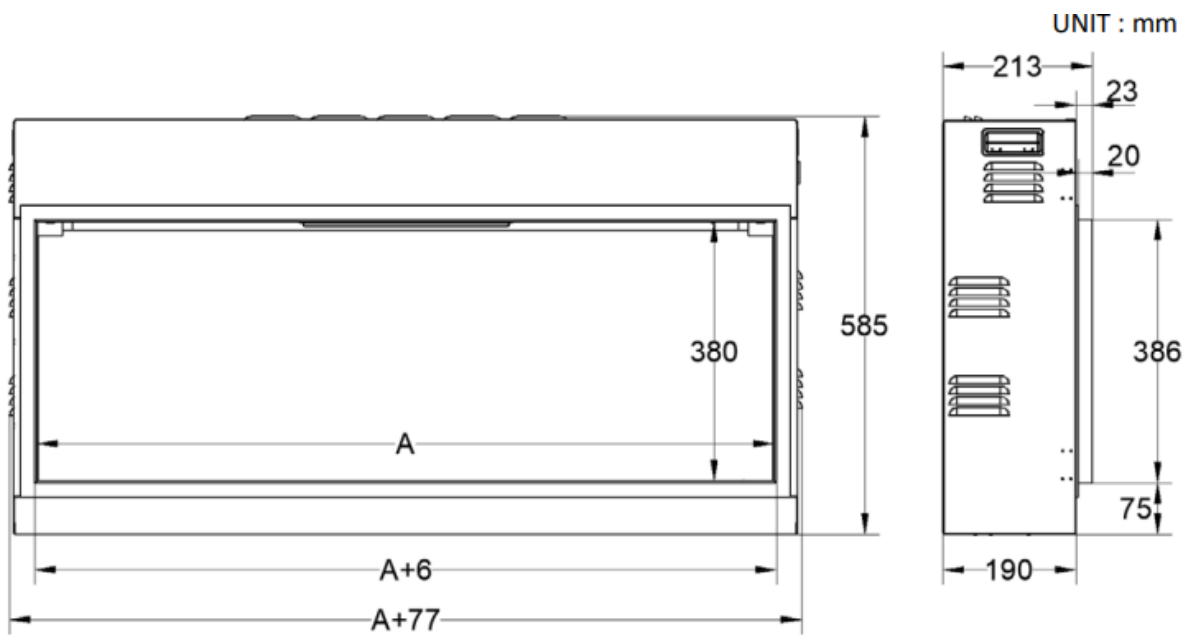


**WARNUNG!** Verwenden Sie dieses Gerät, wenn ein Teil unter Wasser gestanden hat. Sofort eine qualifizierte Service-Techniker zu überprüfen und zu ersetzen einen Teil der elektrischen System gegebenenfalls. Halten Plastikverpackung von Kindern fern.

- Öffnen Sie die Verpackung vorsichtig und entfernen Sie das Styropor. Stellen Sie sicher, dass das Gerät intakt ist, dass es keine Anzeichen für eine durch den Transport verursachte Beschädigung aufweist und dass kein Teil des Geräts Wasser ausgesetzt war. Falls Sie Zweifel haben, dürfen Sie das Gerät nicht verwenden. Nehmen Sie dann Kontakt mit einem autorisierten Kundendienst auf.
- Entfernen und Entsorgen der Plastiktüte.
- Verantwortlich beim Umgang mit den Verpackungsmaterialien.
- Bewahren Sie die Originalverpackung auf; Sie benötigen diese möglicherweise bei einer Reklamation im Zusammenhang mit dem Produkt oder um das Produkt in der Zukunft zu transportieren und/oder zu lagern.
- Vergewissern Sie sich, dass alle Teile aus der Verpackung entfernt wurden.
- Nehmen Sie den Elektrokamin nicht in Gebrauch, wenn ein oder mehrere Teile nass sind. Lassen Sie die betreffenden Teile unverzüglich von einem anerkannten Servicetechniker überprüfen und eventuell ersetzen.
- Lassen Sie kleine Kinder vor und während der Montage nicht in die Nähe kommen. Lassen Sie kleine Kinder nicht mit den Teilen in Berührung kommen.
- Ihr neuer Elektrokamin kann fast überall im Haus installiert werden. Bei der Auswahl des Standorts müssen jedoch die allgemeinen Anweisungen sorgfältig gelesen und befolgt werden. Das beste Ergebnis wird erzielt, wenn Sie den Elektrokamin nicht direkt in die Sonne hängen.
- Das Gerät muss an eine geerdete Steckdose angeschlossen werden; diese Steckdose muss immer gut zugänglich sein, sodass das Gerät schnell von der Stromversorgung abgetrennt werden kann.

 <p>Feuerraum (1)</p>	 <p>Befestigungsbügel (4)</p>	 <p>Schraube ST4*12 (4)</p>	 <p>Schraube ST4*8 (10)</p>
 <p>Bügel (1)</p>	 <p>Fernbedienung (1)</p>	 <p>Batterie AAA (2)</p>	 <p>Handbuch (1)</p>
 <p>Anleitung für die App (1)</p>	 <p>Netzkabel (1)</p>	 <p>Holzscheite (1)</p>	 <p>Verschiedene Arten Steinen (1)</p>

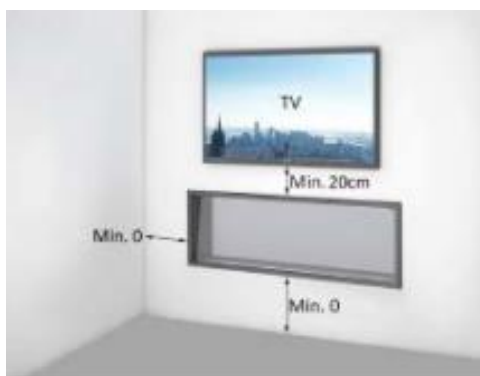
## 2.2 Abmessungen Kamin



MODEL	EF313A	EF314A	EF315A
A	1355 mm	1555 mm	1955 mm

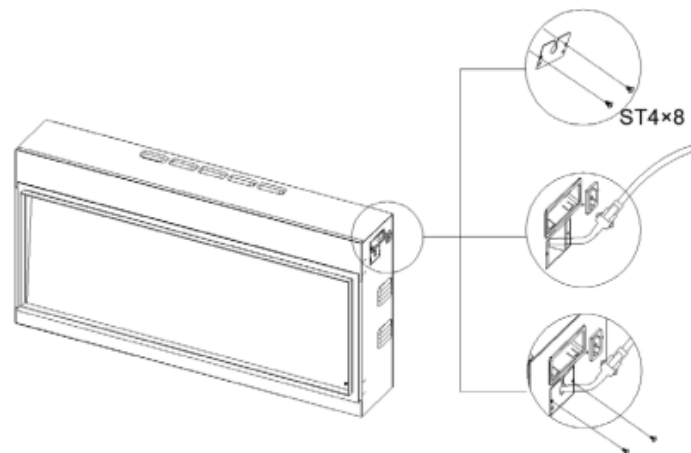
### Mindestabstand zu brennbaren Materialien

Seiten ..... 0 cm  
 Fußboden ..... 0 cm  
 Oberseite (Kaminsims oder Fernseher) ... 20 cm  
 Rückseite ..... 0 cm  
 Vorderseite ..... 100 cm

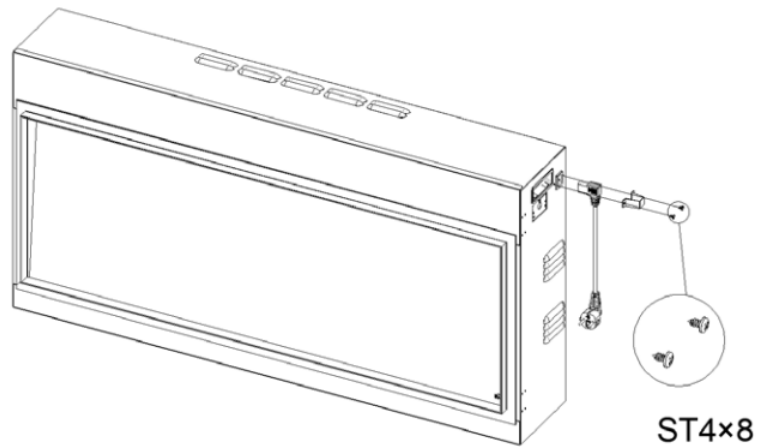




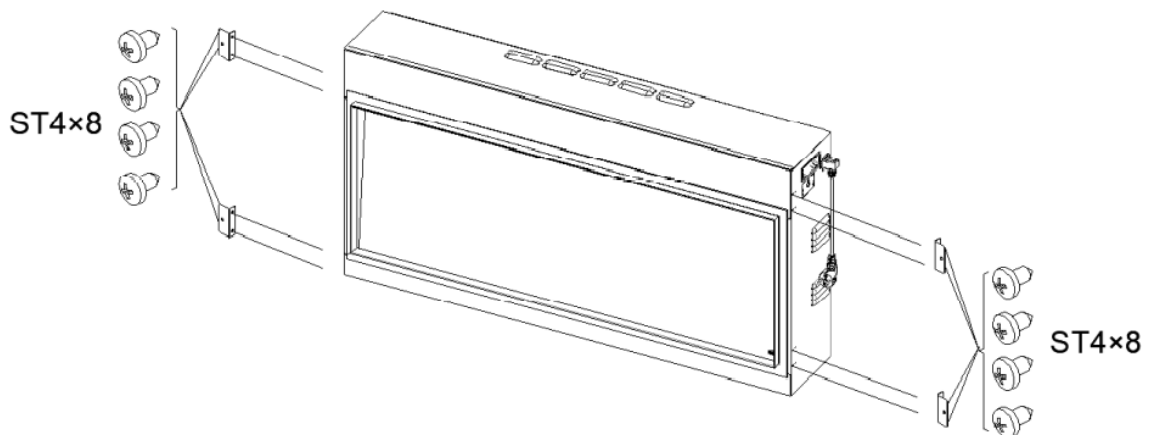
## 2.3 Montage



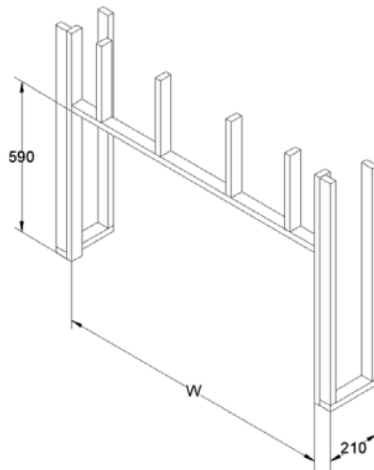
**SCHRITT 1.** Entfernen Sie die Schutzabdeckung vom Anschluss für Stimmungslicht. Schließen Sie den Stimmungslichtstreifen an (falls erforderlich). Bringen Sie die Schutzabdeckung wieder an.



**SCHRITT 2.** Verbinden Sie das Netzkabel mit einem Bügel und 2 ST4\*8 Schrauben.

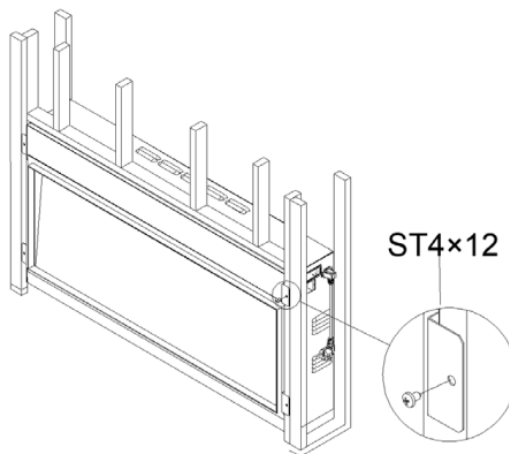


**SCHRITT 3.** Befestigen Sie 4 Befestigungsbügel mit 8 ST4x8 Schrauben wie in Abbildung gezeigt. Achten Sie die Richtung.



MODEL	EF313A	EF314A	EF315A
W	1442 mm	1642 mm	2042 mm

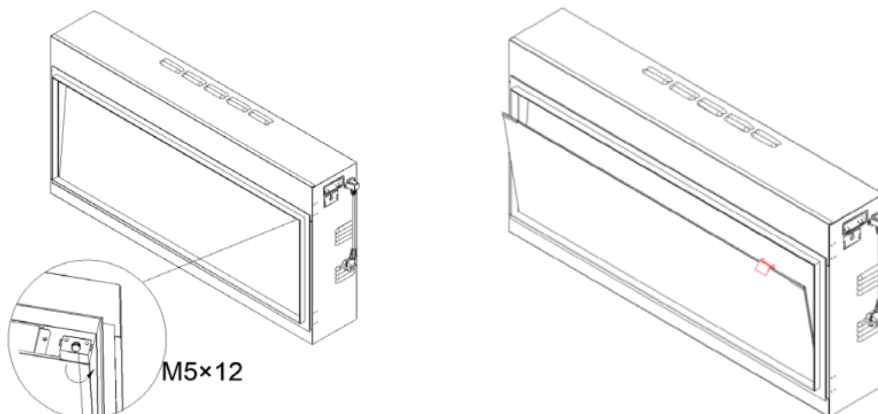
**SCHRITT 4a.** Einen Rahmen bauen.



**SCHRITT 4b.** Sichern Sie das Gerät am Rahmen.

**SCHRITT 4c.** Testen Sie die Funktionen.

**SCHRITT 4d.** Mach die Wand fertig.



**SCHRITT 4e.** Entfernen Sie das Glas. Die Steine und Stämme vorsichtig auf dem Brennstoffbett verteilen. Setzen Sie das Glas wieder ein.

## ABSCHNITT 3: BETRIEBSANLEITUNGEN

**WARNUNG:** Verwenden Sie das Gerät nicht, wenn es beschädigt ist oder eine Störung aufweist. Wenn Sie vermuten, dass das Gerät beschädigt ist oder eine Störung hat, müssen Sie das Gerät von einem qualifizierten Servicetechniker überprüfen und gegebenenfalls defekte Teile des elektrischen Systems ersetzen lassen, bevor Sie das Gerät wieder verwenden.

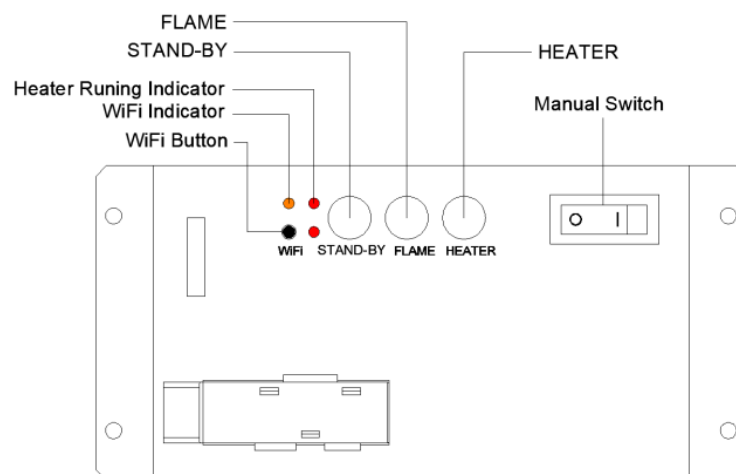
**VERGEWISSERN SIE SICH,** dass der Stecker fest in die Steckdose gesteckt ist. Durch mangelhafte Anschlüsse an die Steckdose oder gelöste Stecker kann die Steckdose zu heiß werden.

Dieses Gerät kann auf 3 unterschiedliche Arten bedient werden: manuell, über die Fernbedienung oder über die spezielle iOS-/Android-App. Wenn Sie die App für die Steuerung verwenden, lesen Sie bitte die Anleitung für die App. Nachdem die Einheit ordnungsgemäß an eine geerdete Steckdose angeschlossen wurde, können Sie den Hauptschalter einschalten. Dieser Schalter befindet sich auf dem Bedienpult in der oberen rechten Ecke des Feuerraums.

**BITTE BEACHTEN!** Um die Funktionen der Fernbedienung und der App sowie für die manuelle Bedienung verwenden zu können, muss sich der manuelle Ein/Aus-Schalter in der Stellung „EIN“ befinden. Ein langer Piepton ertönt, um anzugeben, dass der Kamin einsatzbereit ist. Um das Produkt zu schützen nicht zu heiß wird, gibt es 10 Sekunden Verzögerung beim Einschalten der Heizung, auch gibt es 10 Sekunden Verzögerung beim Ausschalten des Heizgebläse.

### 3.1 Betriebssystem durch manuelle Knop

**HINWEIS!** Die manuelle Taste auf der Feuer-Kiste Gerät nicht versorgen Sie mit allen Funktionskontrolle, und seine Vorschlagen, ist, einige grundlegende Funktion zu steuern, wenn Sie die Fernbedienung verlieren. Bitte benutzen Sie die Fernbedienung in die Durchführung aller Funktionen.



### HAUPTSCHALTER

Drücken Sie diesen Schalter, um die Stromversorgung zu dem Gerät ein- bzw. auszuschalten. „I“ = einschalten, „O“ = ausschalten.

### STANDBY-TASTE

Mit dieser Taste wird das Heizen beim Gerät abgeschaltet; die zuletzt verwendeten Einstellungen werden gespeichert. Stellen Sie das Gerät in den Standby-Modus, während alle Funktionen ausgeschaltet sind.

### TASTE FLAMME

Drücken Sie diese Taste, um durch die folgenden Einstellungen zu scrollen: 3 voreingestellte Flammenfarben und Aus.

### HEIZUNGSTASTE

Drücken Sie diese Taste, um durch die folgenden Einstellungen zu scrollen: geringe Hitze, starke Hitze und Aus.

### WIFI-TASTE

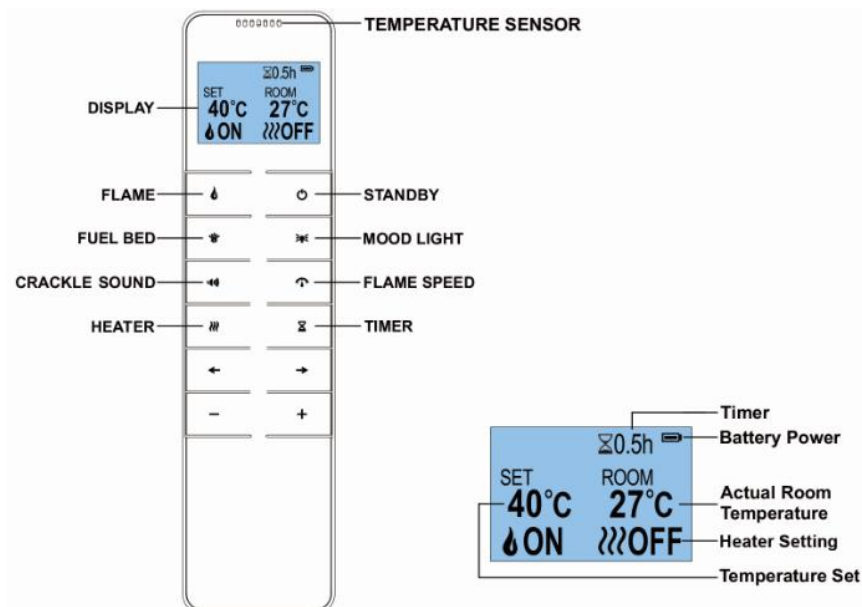
Drücken Sie diese Taste, um WiFi ein- bzw. auszuschalten. Eine leuchtende LED zeigt an, dass WiFi eingeschaltet ist. Drücken Sie die Taste 3 Sekunden lang, um in den Pairing-Modus des Geräts zu schalten.









## 3.2 Anleitung Fernbedienung

- Vergewissern Sie sich, dass die Batterien richtig in die Fernbedienung eingelegt sind.
- Die effektive Reichweite der Fernbedienung beträgt bis zu 6 Meter.
- Richten Sie die Fernbedienung auf den Fernbedienungsempfänger, der sich in der oberen rechten Ecke des Feuerraums befindet.

**Wichtig!** Dies ist eine Fernbedienung mit Thermostat. Die Fernbedienung sollte sich immer im selben Raum befinden, in dem sich der Kamin befindet und auf einer ebenen Fläche stehen.

Die Kommunikationsfrequenz zwischen Fernbedienung und Kamin wird automatisch voreingestellt.



SYMBOL	BEZEICHNUNG	FUNKTION
	EIN-/AUS-Schalten	Zum Ein-/Aus-switchen der Flamme, des Brennerbetts. Wenn sich die Heizung im AUTO-Modus befindet, drücken Sie diese Taste, um den Auto-Modus auszuschalten.
	Flamme	Drücken Sie diese Taste, um die Flamme ein-/auszuschalten. Drücken Sie ← bzw. →, um 3 Flammen auszuwählen und auszuschalten. Drücken Sie + bzw. -, um die Helligkeitseinstellungen bei der Flamme zu wählen.
	Brennerbett	Drücken Sie diese Taste, um das Brennerbett ein-/auszuschalten. Drücken Sie ← bzw. →, um aus 8 Einstellungen für das Brennerbett zu wählen. Drücken Sie + bzw. -, um die Helligkeitseinstellungen beim Brennerbett zu wählen.
	Heizung	Drücken Sie diese Taste, um die Heizung einzuschalten. Es gibt insgesamt 4 Heizmodi: LOW-HIGH-OFF-AUTO (NIEDRIG-HOCH-AUS-AUTO). Drücken Sie + bzw. -, um die Temperatur zwischen 5 und 40 °C einzustellen.
	Timer	Drücken Sie diese Taste, um den Timer einzuschalten. Mit dem ersten Tastendruck wird die Zeit auf 0.5H eingestellt; mit jedem weiteren Tastendruck durchlaufen Sie die folgenden Einstellungen: 1H, 2H, 3H, 4H, 5H, 6H, 7H, 8H, 9H, 10H, Aus. Während sich die Heizung im AUTO-Modus befindet, werden beim Einstellen des Timers alle Funktionen (einschließlich des AUTO-Modus der Heizung) ausgeschaltet.
	Stimmungslicht	Drücken Sie diese Taste, um durch die folgenden Einstellungen zu scrollen: Stimmungslicht 1, 2 ... 13. Drücken Sie + bzw. -, um die Helligkeitseinstellungen beim Stimmungslicht zu wählen.
	Sound-Effekt	Drücken Sie diese Taste, um durch die folgenden Einstellungen zu scrollen: Sound 1, 2 und Aus. Drücken Sie + bzw. -, um die Lautstärke zu wählen.
	Flammen geschwindigkeit	Drücken Sie diese Taste für Flammengeschwindigkeit. Drücken Sie + bzw. -, um die Flammengeschwindigkeit zu wählen.

WICHTIG: Drücken Sie die Taste '←' oder '→' 3 Sekunden lang, um die Temperatureinheit zwischen °C und °F umzuschalten.

#### Wichtige Sicherheitsinformationen zur verwendeten Batterie

- Für die Fernbedienung werden zwei AAA-Batterien benötigt.
- Drücken Sie mit Ihrem Daumen auf die Batterieabdeckung auf der Rückseite und schieben Sie diese nach unten; entfernen Sie die Abdeckung dann und nehmen Sie die Batterien heraus bzw. legen Sie sie ein. Bringen Sie die Batterieabdeckung dann wieder richtig an.
- Diese (nicht wiederaufladbaren) AAA-Batterien dürfen nicht aufgeladen werden.
- Verwenden Sie niemals verschiedene Arten von Batterien oder neue und gebrauchte Batterien durcheinander.
- Achten Sie beim Einsetzen der Batterien auf die richtige Polarität.
- Verbrauchte Batterien müssen aus dem Gerät herausgenommen und auf eine sichere Weise entsorgt werden.

- Die Batterien sollten auch herausgenommen werden, wenn die Fernbedienung für eine längere Zeit nicht verwendet wird.
- Die Klemmen dürfen nicht kurzgeschlossen werden.

### **Zurücksetzen einer thermischen Abschaltung**

- Das Gerät ist mit Electronic Safety Control (E.S.C) ausgeführt. Dabei handelt es sich um eine Sicherheitsvorrichtung, die die Befehlsausführung ausschaltet, wenn das Gerät aus einem beliebigen Grund zu heiß wird, z. B. weil es abgedeckt ist. Wenn der Kamin nicht mehr funktioniert, während der Flammeneffekt noch normal zu sehen ist, weist dies darauf hin, dass die E.S. Control aktiviert wurde. Die E.S. Control kann erst zurückgesetzt werden, nachdem das Gerät abgekühlt ist und das Gerät zurückgesetzt wurde. Die E.S. Control kann wie folgt zurückgesetzt werden:
- Schalten Sie das Gerät aus (mit dem manuellen Schalter) und lassen Sie es etwa 10-15 Minuten ausgeschaltet.
- Entfernen Sie alles, was den Ausgang des Heizlüfters, die Lüfterflügel usw. blockieren kann. Stellen Sie sicher, dass die Stromversorgung an der Steckdose abgetrennt ist, bevor Sie dies tun.
- Schalten Sie das Gerät ein; die E.S. Control wird zurückgesetzt.
- Vergewissern Sie sich, dass das Gerät einwandfrei funktioniert. Wenn die E.S. Control erneut aktiviert wird, müssen Sie das Gerät von einem qualifizierten Elektriker überprüfen lassen.

### **Einstellen der Frequenz zwischen Kamin und Fernbedienung**

Die nachstehend aufgeführten Vorgänge sind vor der Programmierung, beim Umschalten auf eine neue Fernbedienung oder wenn das Gerät nicht über die Fernbedienung gesteuert werden kann, durchzuführen:

- Drücken und halten Sie die POWER ON/OFF-Taste am Gerät 3 Sekunden lang fest, bis Sie 2 kurze Signaltöne vom Gerät hören, dann die Taste loslassen.
- Drücken Sie dann innerhalb von 10 Sekunden die POWER ON/OFF Taste auf der Fernbedienung. Die Kommunikation zwischen der Fernbedienung und dem Gerät ist hergestellt, wenn Sie einen langen Signalton vom Gerät hören.
- Wenn nicht, wiederholen Sie die obigen Schritte.
- Das Zurücksetzen des Codes für die Fernbedienung ist erforderlich, wenn das Gerät fehlerhaft arbeitet oder die Fernbedienung nicht ordnungsgemäß funktioniert.
  - Öffnen Sie die hintere Abdeckung der Fernbedienung.
  - Drücken Sie die Reset-Taste auf der Fernbedienung.

### **Erkennung offener Fenster**

Wenn der Sensor einen rapiden Abfall bei der Raumtemperatur erfasst, wird dies als ein offenes Fenster identifiziert; dann wird das Warnsymbol „OPn“ angezeigt und die Heizung wird automatisch ausgeschaltet. Der Kamin schaltet wieder in den normalen Betriebsmodus, wenn die Warnung manuell aufgehoben wurde (auf dem Touchcontrol-Panel oder der Fernbedienung oder mit der Taste für das Heizen in der APP).

## TEIL 4: WARTUNG



**Warnung:** Vor der Wartung und/oder Reinigung der Außenseite des elektrischen Kamins muss das Netzkabel aus der Steckdose gezogen werden. Lassen Sie den elektrischen Kamin abkühlen.

### 4.1 Austauschen der Batterie in der Fernbedienung

Es wird empfohlen, die Batterie nach 1 Jahr auszutauschen. Setzen Sie 2 neue AAA-Batterien ein. Achten Sie darauf, dass die Batterien richtig in die Fernbedienung eingelegt werden. Entsorgen Sie die alten Batterien bei einer geeigneten Reststoffverwertungsanlage.

### 4.2 Wartung der Motoren

Die für den Ventilator und den Flammeneffekt verwendeten Motoren sind für die gesamte Lebensdauer vorgeschmiert und brauchen daher nicht geschmiert zu werden. Ein periodisches Reinigen/Absaugen des Ventilators/der Heizungseinheit wird jedoch empfohlen.

### 4.3 Reinigung des elektrischen Kamins

Sie können für die Außenseite des Kamins ein weiches, feuchtes, fusselfreies Tuch benutzen. Verwenden Sie keine Reinigungsmittel oder polierten Produkte. Um Fingerabdrücke oder andere Flecken auf der Frontglasscheibe zu entfernen, verwenden Sie ein weiches, feuchtes, fusselfreies Tuch mit einem hochwertigen Haushaltsglasreiniger. Die Frontscheibe sollte immer vollständig mit einem sauberen, fusselfreien Tuch oder Papiertuch getrocknet werden.



**Warnung:** Verwenden Sie keine Schleifmittel auf der Glasscheibe. Sprühen Sie keine Flüssigkeiten direkt auf die Oberfläche des Geräts.



**Warnung:** Ein autorisierter Techniker muss andere Wartungsarbeiten durchführen.

### 4.4 Umwelt



Elektrogeräte müssen über getrennte Sammelstellen entsorgt werden. Bitte erkundigen Sie sich bei Ihrer Gemeinde nach den verfügbaren Sammelsystemen. Wenn Elektrogeräte auf einer Mülldeponie landen, können gefährliche Stoffe ins Grundwasser und in die Nahrungskette gelangen, was Ihrer Gesundheit und Ihrem Wohlbefinden schaden kann. Beim Austausch von Altgeräten gegen neue Geräte ist der Händler gesetzlich verpflichtet, Ihr Altgerät zumindest kostenfrei zurückzunehmen.

Kontaktieren Sie WEE Care Plc unter 0844 8002004, wenn Sie das Gerät am Ende seiner Lebensdauer der Wiederverwertung zuführen möchten. Die relevante Herstellernummer lautet WEE/MM3069AA.



Dieser Kamin entspricht den Sicherheitsnormen EN 60335-1 und EN 60335-2-30, die die grundlegenden Anforderungen aus den (Sicherheits-) Richtlinien 2016 (S.I. 2016/1101) für elektrische Geräte enthalten, sowie den EMV-Normen EN55014-1; EN 55014-2; EN 61000-3-2 und EN 61000-3-3, die die grundlegenden Anforderungen der Richtlinie zur elektromagnetischen Verträglichkeit 2016 (S.I. 2016/1091) enthalten.



[www.livn.nl](http://www.livn.nl)